

NOTES:

1. D1-5: 1N4007.
2. PCB: JMP50A
3. Effects loop components shown on preamp cct. diag.
4. Output impedance select can be wired for either 8 & 16Ω (normal) or 4 & 8Ω.

See note 4.

Speaker Sockets JS5 JS6

Output Transformer

Output Impedance Select

Standby Switch

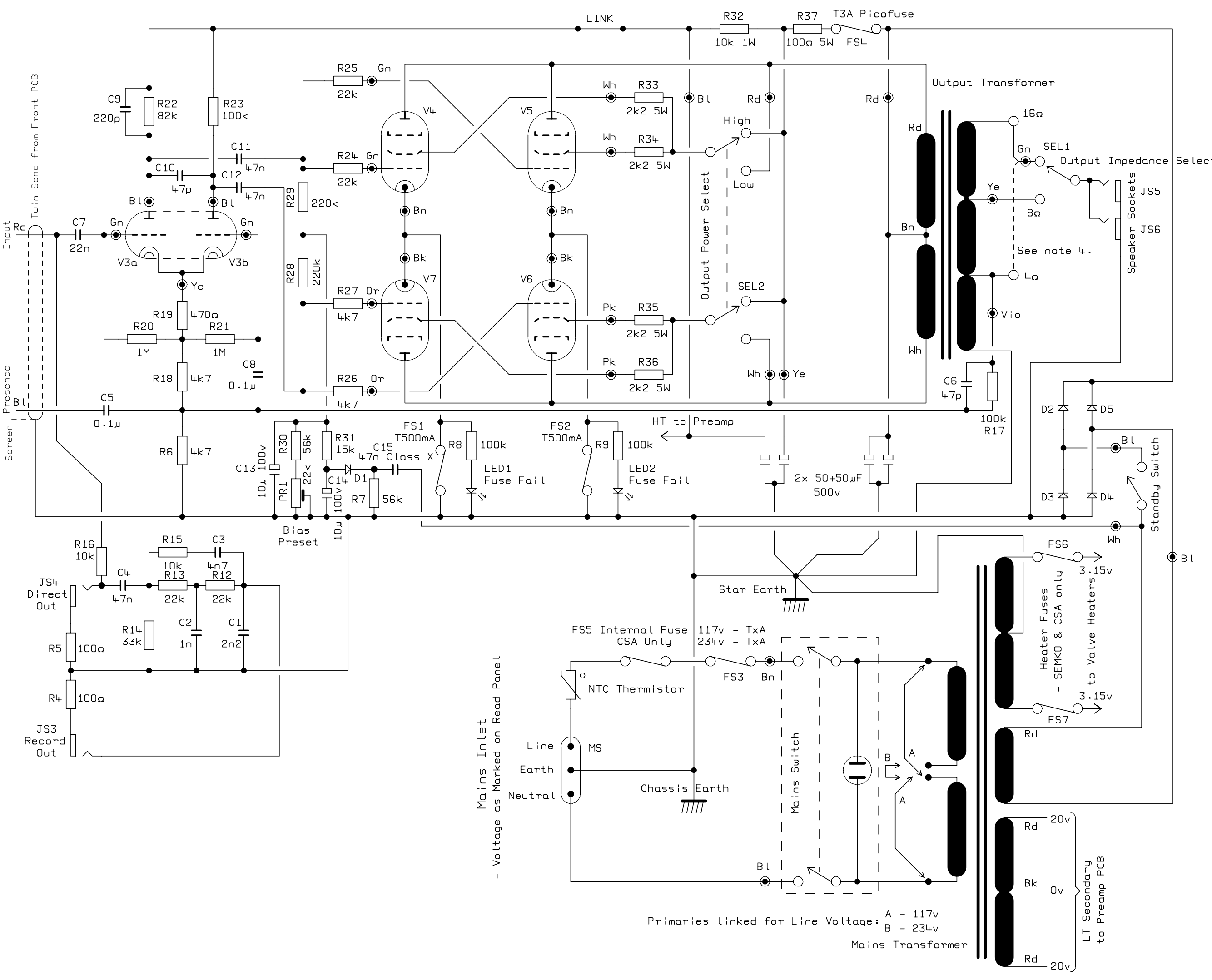
Heater Fuses - SEMKO & CSA only

to Valve Heaters

LT Secondary to Preamp PCB

1 31-10-89 CPV

File: 900-100.DGM



©