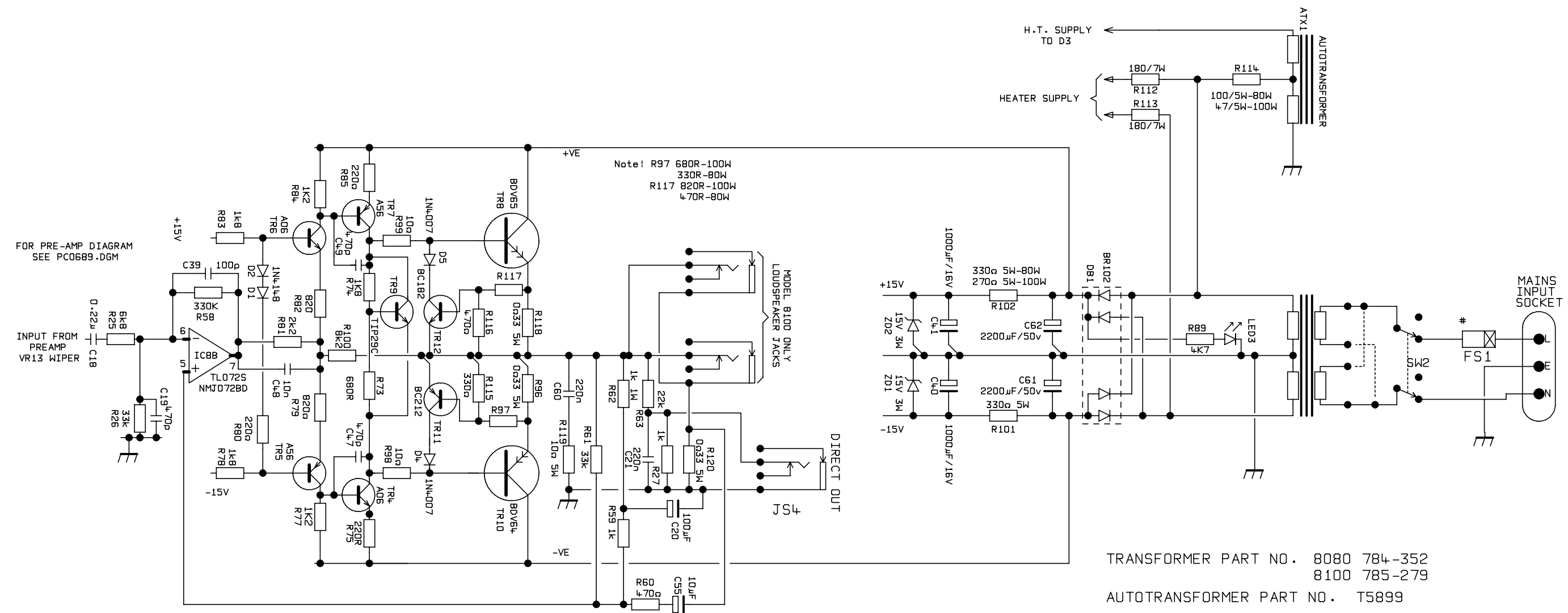
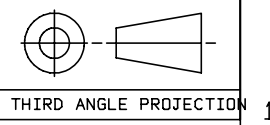


DWG.No - PC0689P.DGM



For continued protection against fire, replace primary fuse only with same type and rating.

9	0451	07/03/94
8	0479	18/1/94
7	0442	28/10/93
6	0393	08/09/93
5	0247	03/07/92
4	0200	02/04/92
3	0110	02/01/92
ISS	ECO NUMBER	DATE

UNSPECIFIED HOLE DATA	
A	H
B	J
C	K
D	L
E	M
F	N
G	P

MATERIAL	
MATERIAL THICKNESS	
INTERNAL BEND RADII	
EXTERNAL B/A	
BEND DIE	
DRAWN T.F	DATE 03/04/92
CHECKED	DATE
APPROVED	DATE

DIMENSIONS IN	
TOLERANCE (UNLESS OTHERWISE STATED)	
DIMENSIONAL	
CENTRES	
ANGULAR	
MODEL	
8080/8100	

Marshall

COPYRIGHT EXISTS ON THIS DOCUMENT. IT MUST NOT BE USED FOR ANY PURPOSE THAN THAT FOR WHICH IT IS SUPPLIED AND MUST NOT BE COPIED IN WHOLE OR IN PART WITHOUT WRITTEN PERMISSION FROM
 © JIM MARSHALL (PRODUCTS) LTD.
 DENBIGH ROAD, BLETCHLEY, MILTON KEYNES, MK1 1DQ.
 TEL (0908)375411 FAX (0908)376118

TITLE	
CCT DIAGRAM	
DWG.No	ISSUE
PC0689P.DGM	9