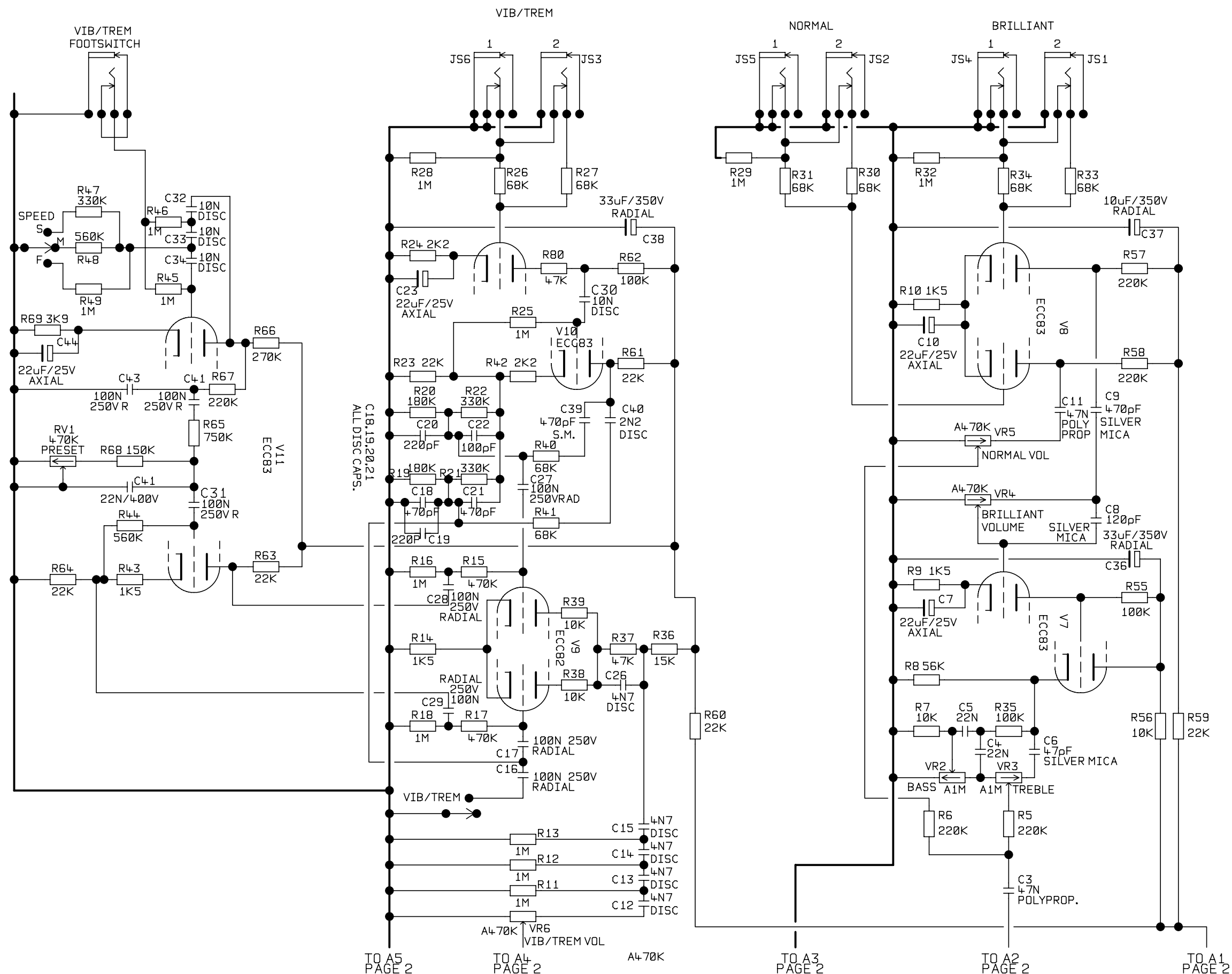
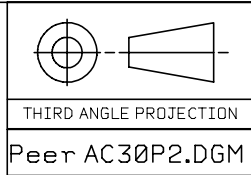


DWG.No.AC30-60-02 (SHT 1 OF 2)



5	0793	06/12/94
4	0521	14-1-94
3	0363	26/5/93
2	0319	9/3/93
ISS	ECO NUMBER	DATE

A	H
B	J
C	K
D	L
E	M
F	N
G	P

UNSPECIFIED HOLE DATA	
H	4.7N DISC
J	4.7N DISC
K	4.7N DISC
L	4.7N DISC
M	4.7N DISC
N	4.7N DISC
P	4.7N DISC

MATERIAL	
MATERIAL THICKNESS	
INTERNAL BEND RADIUS	
EXTERNAL B/A	
BEND DIE	
DRAWN	S.G.
DATE	18-8-92
CHECKED	DATE
APPROVED	DATE

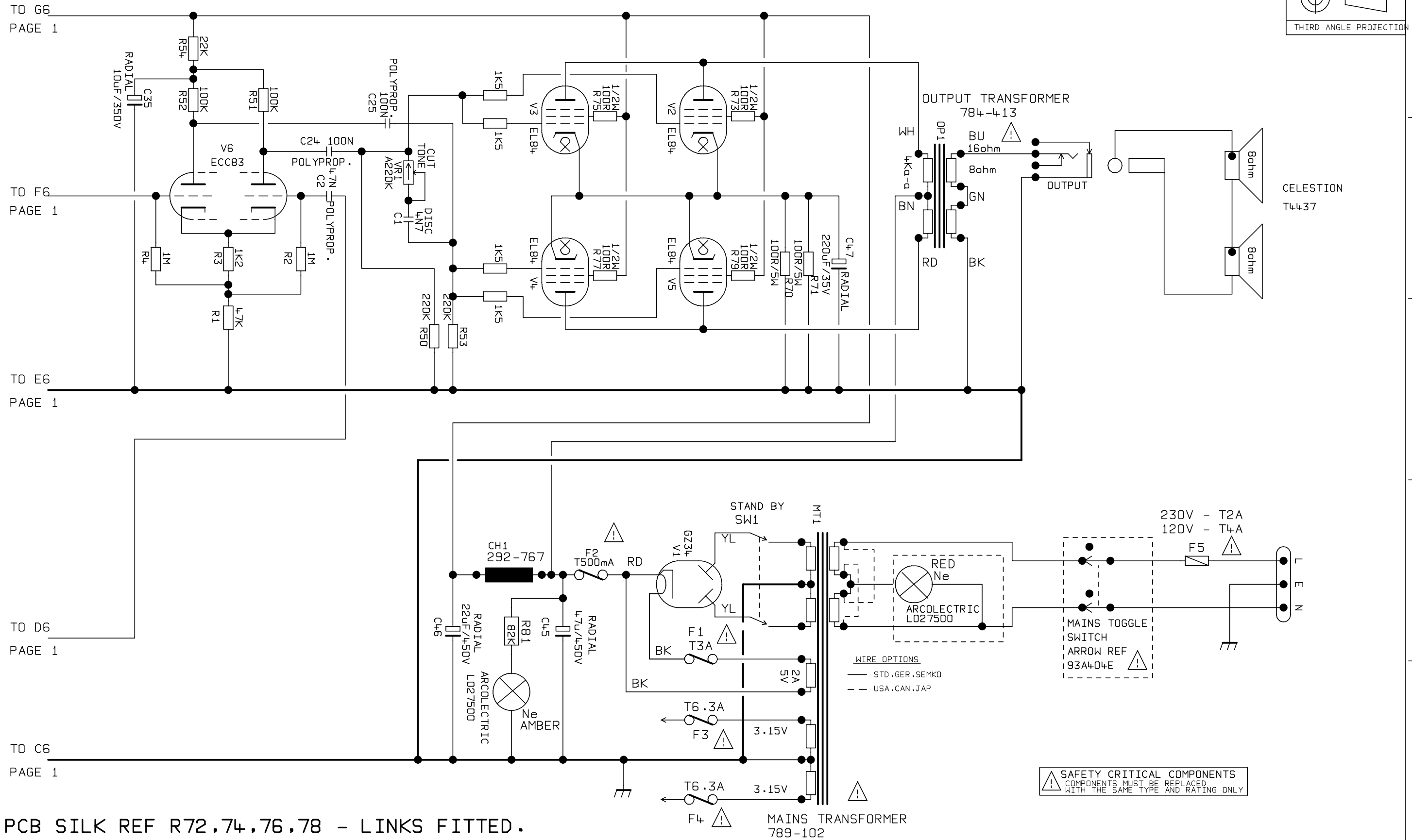
DIMENSIONS IN	
TOLERANCE (UNLESS OTHERWISE STATED)	
DIMENSIONAL	
CENTRES	
ANGULAR	
MODEL	AC30 REISSUE

VOX

COPYRIGHT EXISTS ON THIS DOCUMENT. IT MUST NOT BE USED FOR ANY PURPOSE OTHER THAN THAT FOR WHICH IT IS SUPPLIED AND MUST NOT BE COPIED OR DISCLOSED (IN WHOLE OR IN PART) WITHOUT WRITTEN PERMISSION FROM
 © VOX AMPLIFICATION LTD
 HARROW, MIDDLESEX
 TEL 081-427 5377 TELEX 231 70 RDSMOR FAX 081-861 3595

TITLE	
AC30 TOP BOOST (SHT 1 OF 2)	
DWG.No	AC30-60-02
ISSUE	5

DWG. No AC30-60-02



PCB SILK REF R72,74,76,78 - LINKS FITTED.

UNSPECIFIED HOLE DATA			MATERIAL		DIMENSIONS IN		TITLE	DWG. No	ISSUE
A	B	H	MATERIAL THICKNESS	TOLERANCE (UNLESS OTHERWISE STATED)	DIMENSIONAL	AC30 TOP BOOST			
5	0793	06/12/94	C	INTERNAL BEND RADII	DIMENSIONAL	(SHT 2 OF 2)			
4	0521	14-1-94	D	EXTERNAL B/A	CENTRES				
3	0363	26/5/93	E	BEND DIE	ANGULAR				
2	0319	9/3/93	F	DRAWN S.G.	DATE 18-8-92				
ISS	ECO NUMBER	DATE	G	CHECKED	DATE	MODEL			
				APPROVED	DATE				



COPYRIGHT EXISTS ON THIS DOCUMENT. IT MUST NOT BE USED FOR ANY PURPOSE THAN THAT FOR WHICH IT IS SUPPLIED AND MUST NOT BE REPRODUCED OR COPIED IN WHOLE OR IN PART WITHOUT WRITTEN PERMISSION FROM
 © VOX AMPLIFICATION LTD
 HARRON, MIDDLESEX
 TEL 081-427 5377 TELEX 23170 ROSMOR FAX 081-861 3595

AC30 REISSUE