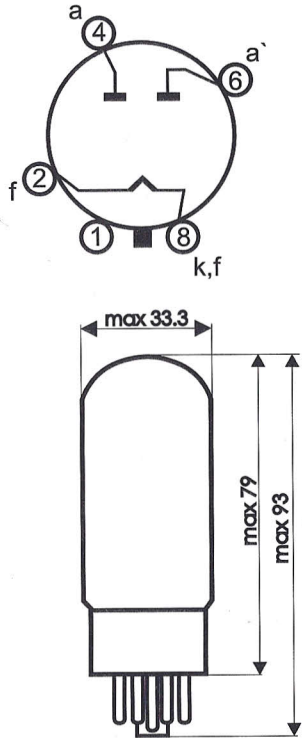


5Y3 S



Base: OCTAL

$U_f = 5V$

$I_f = 2A$

Typical characteristic:

Capacitor input

AC U_a Supply Voltage Each Plate = 350V

$C = 20\mu F$

$R_f = 50\Omega$

DC output current = 125mA

DC output voltage = 360V

AC U_a Supply Voltage Each Plate = 500V

$C = 10\mu F$

$R_f = 140\Omega$

DC output current = 84mA

DC output voltage = 560V

Choke input

AC U_a Supply Voltage Each Plate = 350V

$L = 10H$

DC Output current = 150mA

DC Output voltage = 245V

AC U_a Supply Voltage Each Plate = 500V

$L = 10H$

DC Output current = 125mA

DC Output voltage = 380V

