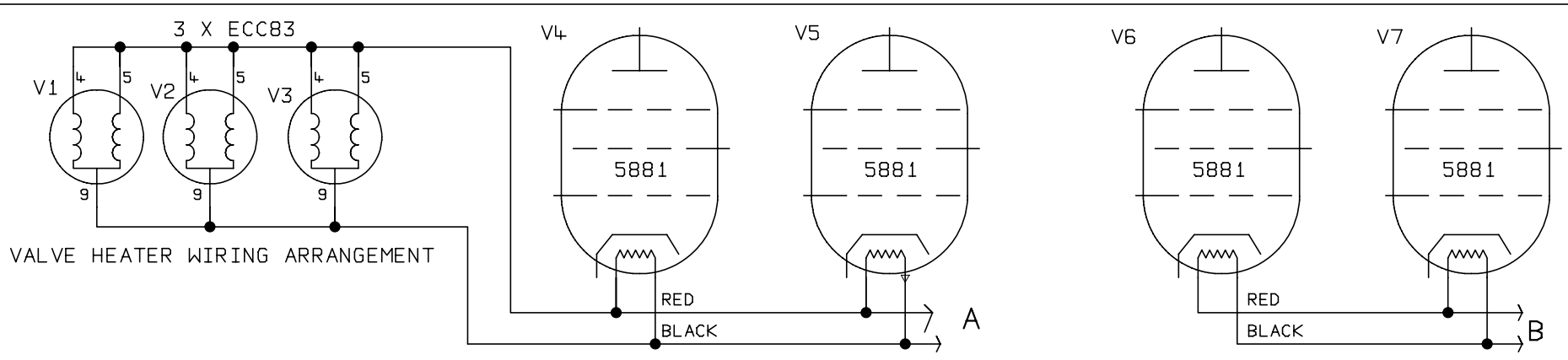
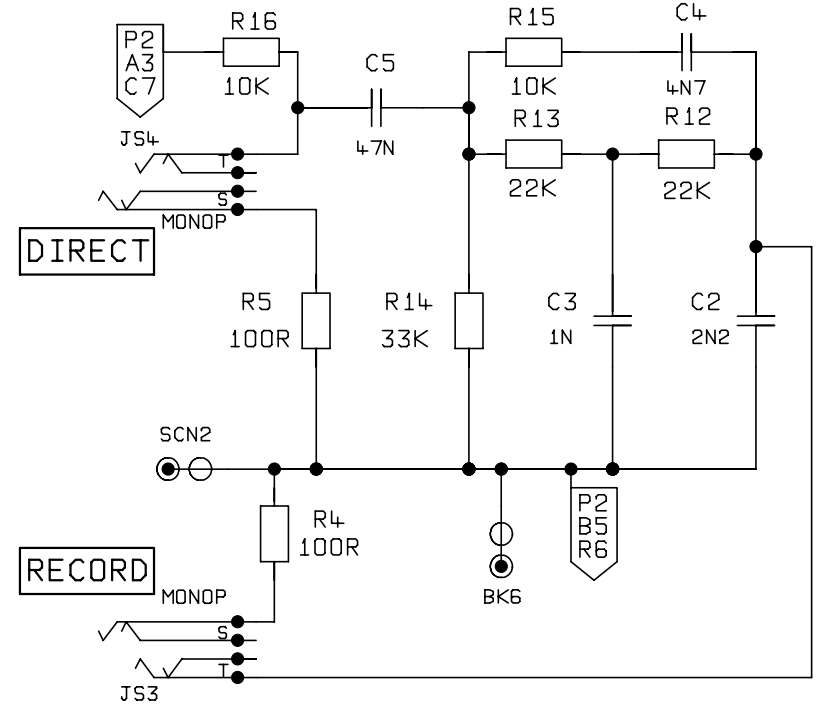
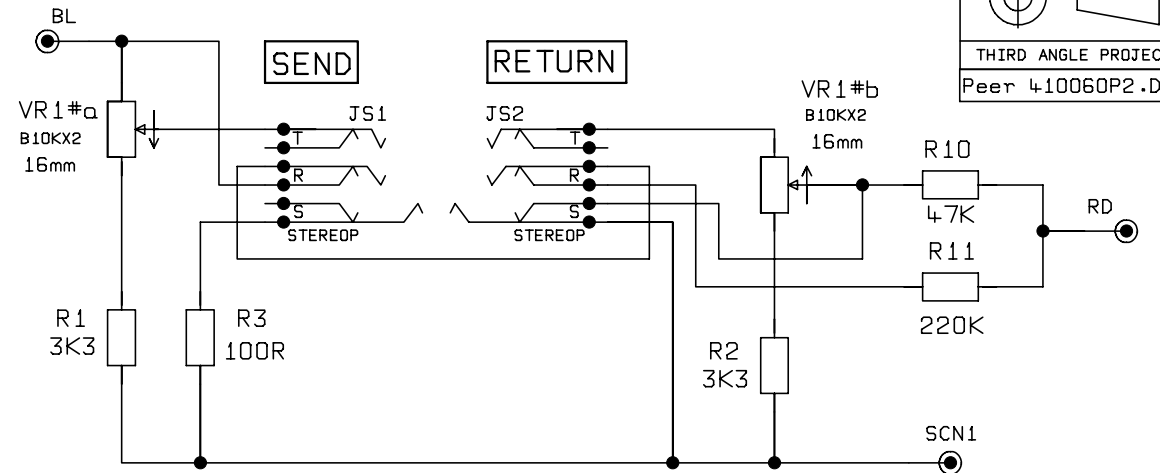
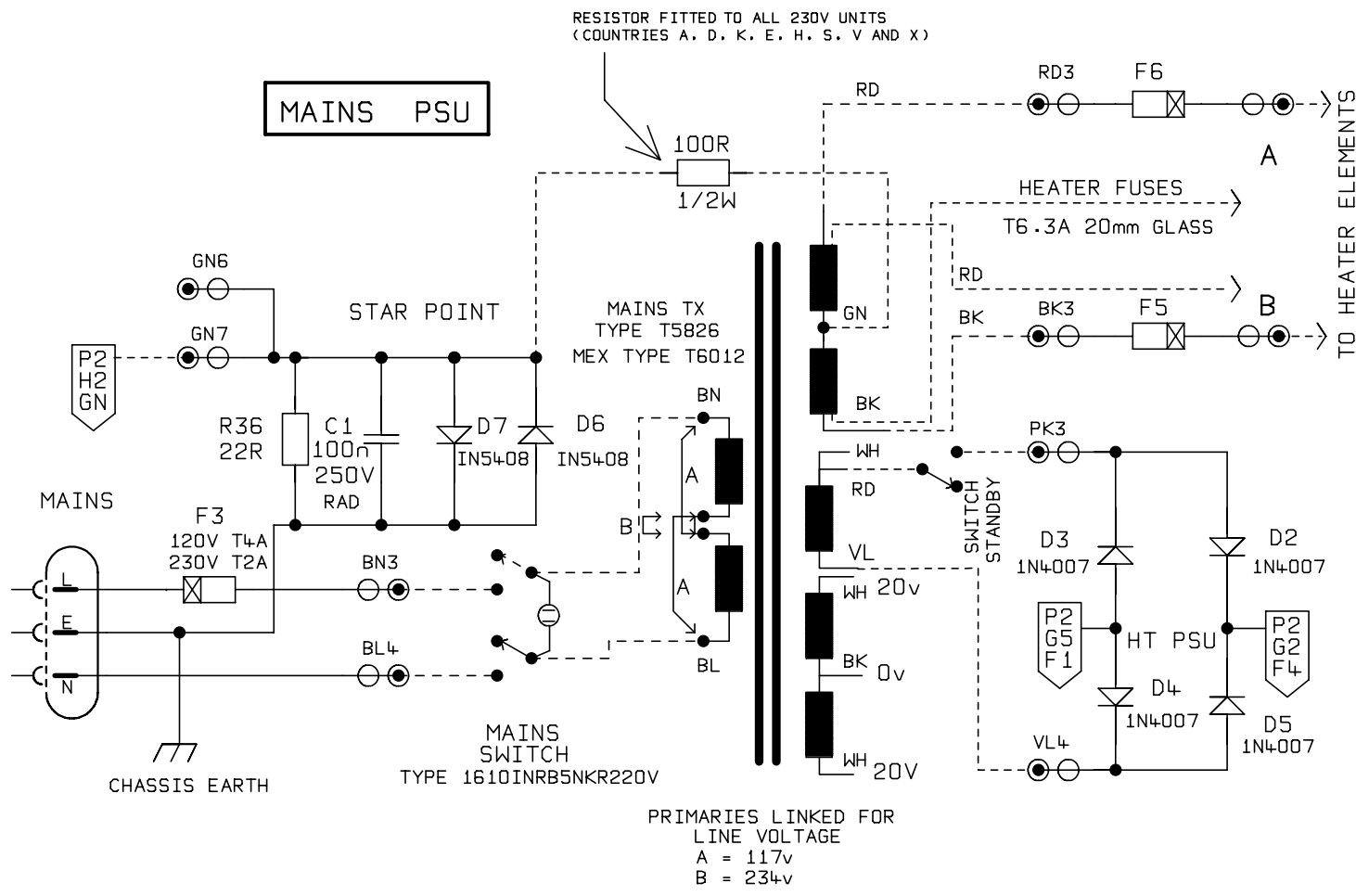
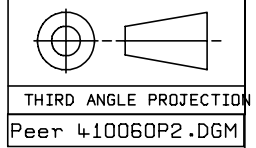


DWG.No. 4100-60-02



NOTES:
DOTTED LINES DENOTE WIRES OFF THE PCB.
P2 = PAGE 2.
E4 = GRID REF. E4.

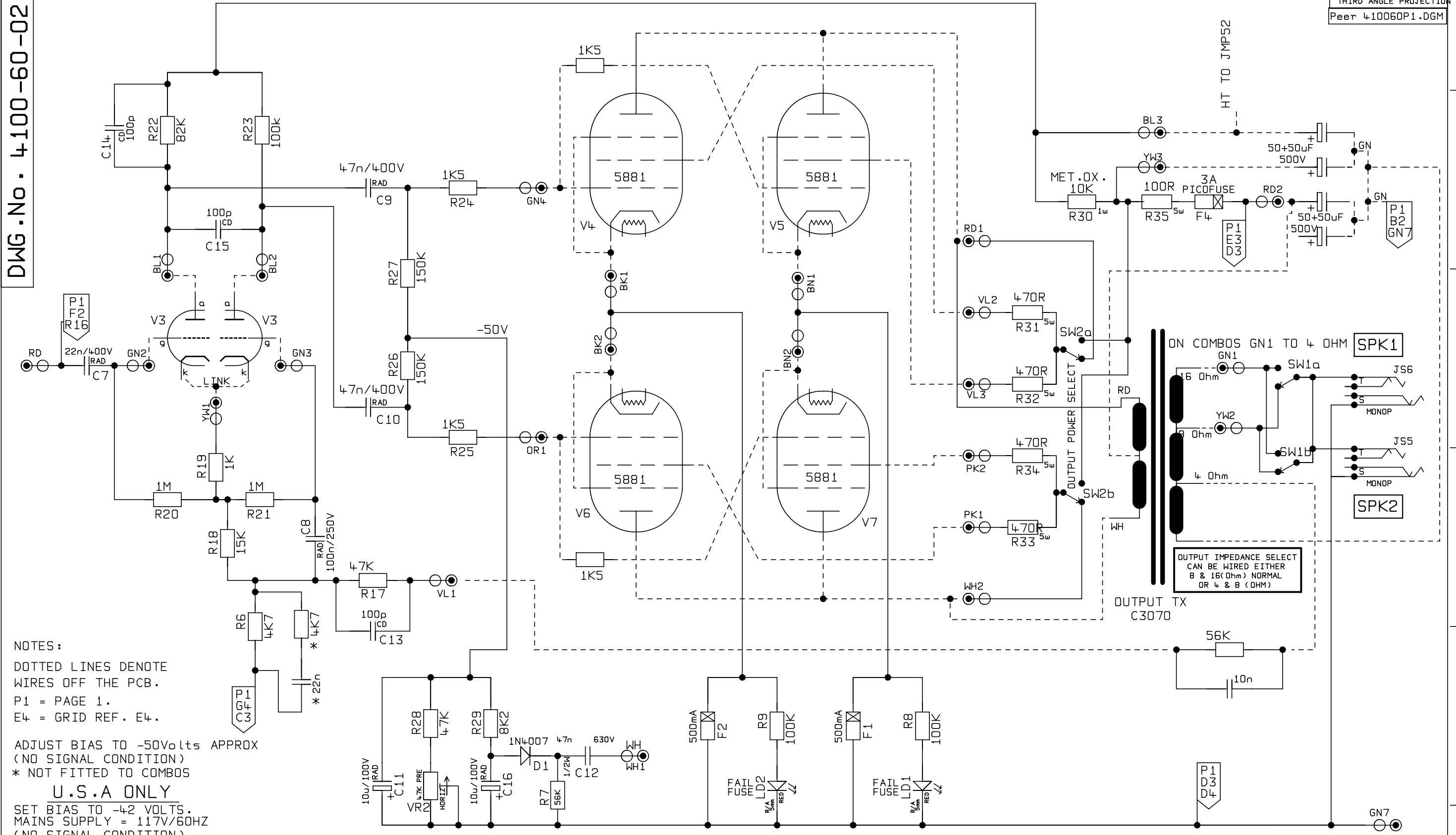
UNSPECIFIED HOLE DATA			MATERIAL		DIMENSIONS IN		TITLE	
		A	H	MATERIAL THICKNESS	TOLERANCE (UNLESS OTHERWISE STATED)		POWER AMP CCT	
		B	J	INTERNAL BEND RADII	DIMENSIONAL		1 OF 2	
14	2172	13/08/02	C	EXTERNAL B/A	CENTRES		ISSUE	
13	1995	17/10/01	D	BEND DIE	ANGULAR		4100-60-02 14	
12	1339	21/1/97	E	DRAWN CJRH DATE 27/7/93	MODEL			
11	0715	22/09/94	F	CHECKED DATE	4100			
ISS	ECO NUMBER	DATE	G	APPROVED DATE				

Marshall

COPYRIGHT EXISTS ON THIS DOCUMENT. IT MUST NOT BE USED FOR ANY PURPOSE THAN THAT FOR WHICH IT IS SUPPLIED AND MUST NOT BE REPRODUCED OR IN PART) WITHOUT WRITTEN PERMISSION FROM
© MARSHALL AMPLIFICATION PLC
DENBIGH ROAD, BLETCHLEY, MILTON KEYNES, MK1 1DQ.
TEL (0908)375411 FAX (0908)376118

DWG.No. 4100-60-02

THIRD ANGLE PROJECTION
Peer 410060P1.DGM



NOTES:
 DOTTED LINES DENOTE WIRES OFF THE PCB.
 P1 = PAGE 1.
 E4 = GRID REF. E4.
 ADJUST BIAS TO -50Volts APPROX (NO SIGNAL CONDITION)
 * NOT FITTED TO COMBOS
U.S.A ONLY
 SET BIAS TO -4.2 VOLTS. MAINS SUPPLY = 117V/60HZ (NO SIGNAL CONDITION)

OUTPUT IMPEDANCE SELECT CAN BE WIRED EITHER 8 & 16(Ohm) NORMAL OR 4 & 8 (OHM)

UNSPECIFIED HOLE DATA

REV	DATE	BY	CHKD	APPD
14	2172	13/08/02	C	K
13	1995	17/10/01	D	L
12	1339	21/1/97	E	M
11	0715	22/09/94	F	N
ISS	ECO NUMBER	DATE	G	P

MATERIAL		DIMENSIONS IN	
MATERIAL THICKNESS		TOLERANCE (UNLESS UTERWISE STATED)	
INTERNAL BEND RADII		DIMENSIONAL	
EXTERNAL B/A		CENTRES	
BEND DIE		ANGULAR	
DRAWN CJRH	DATE 27/7/93	MODEL	
CHECKED	DATE		
APPROVED	DATE		

Marshall

4100

COPYRIGHT EXISTS ON THIS DOCUMENT. IT MUST NOT BE USED FOR ANY PURPOSE THAN THAT FOR WHICH IT IS SUPPLIED AND MUST NOT BE REPRODUCED OR IN PART) WITHOUT WRITTEN PERMISSION FROM MARSHALL AMPLIFICATION PLC
 DENBIGH ROAD, BLETCHLEY, MILTON KEYNES, MK1 1DG.
 TEL (0908)375411 FAX (0908)376118

TITLE		ISSUE	
POWER AMP CCT		2 OF 2	
DWG.No	4100-60-02	ISSUE	14