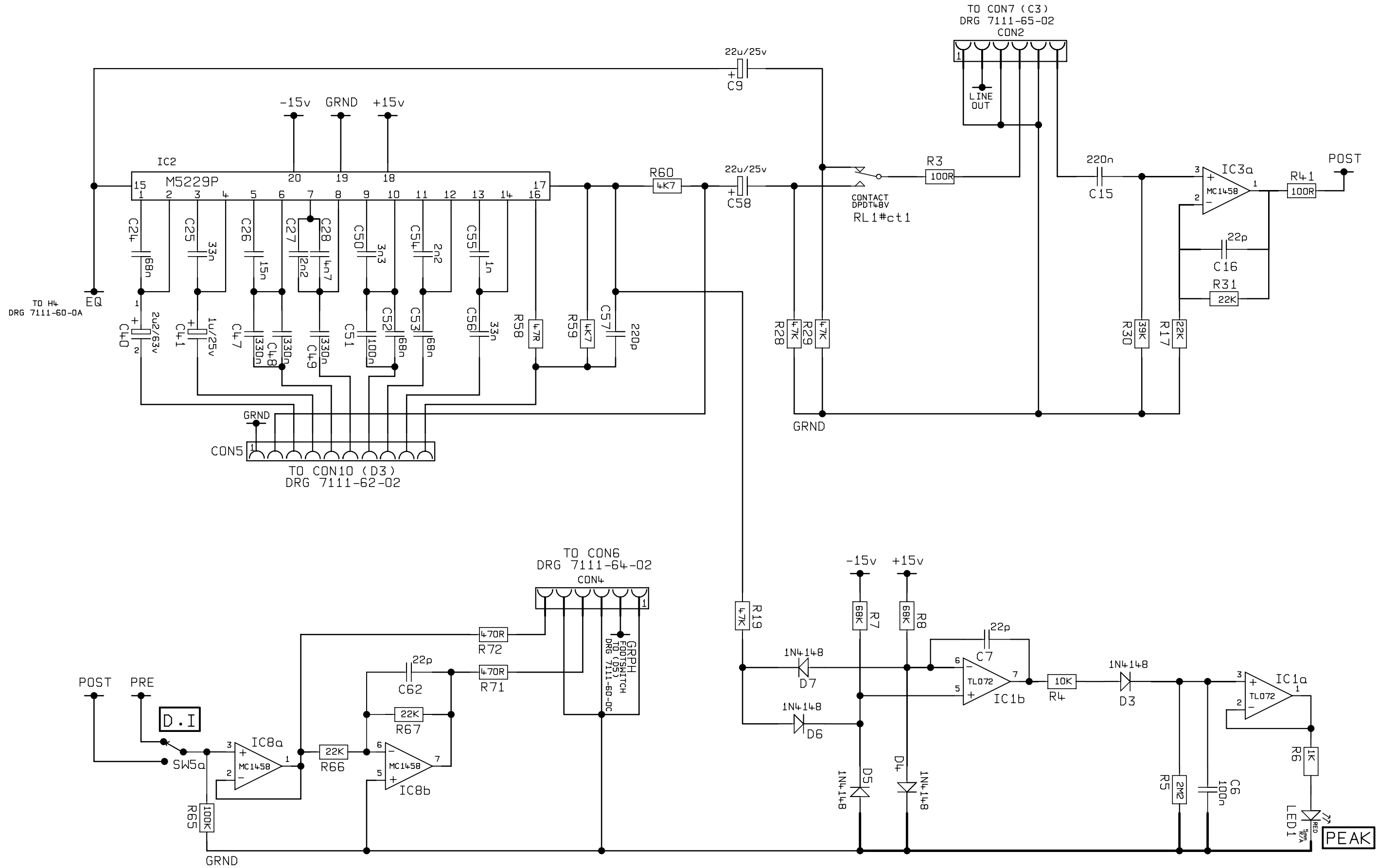


TO H4
DRG 7111-60-0A



ALL SWITCHES SHOWN IN OFF POS'N UNLESS INDICATED.(OUT)
 ALL RESISTORS 1/4W UNLESS STATED.
 TO CON 6 DRG 7111-64-02 = TO CONNECTOR 6 DRG REF 7111-64-02

		ALL OTHER HOLES =				X = (THROUGH PLATED)			
2	0768	A	E	J	N				
1	MANUFACTURE RELEASE	B	F	K	P				
ISS	ECO NUMBER	C	G	L	Q				
	DATE	D	H	M	R				

MATERIAL THICKNESS		DIMENSIONS IN	
DRAWN T.FOY	DATE 23/06/94	TOLERANCE (UNLESS UTHERWISE STATED)	
CHECKED	DATE	MODEL	
APPROVED	DATE	72115.72410 (BASS)	



TITLE	
CCT DIAGRAM (PRE-AMP)	
DWG.No 7111-60-0B	ISS 2