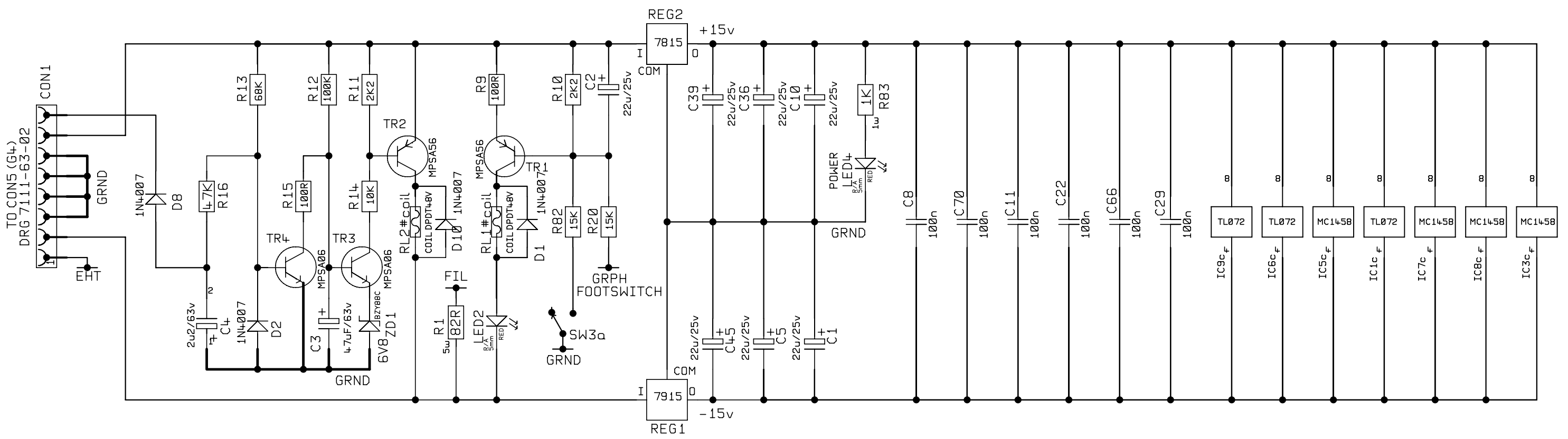
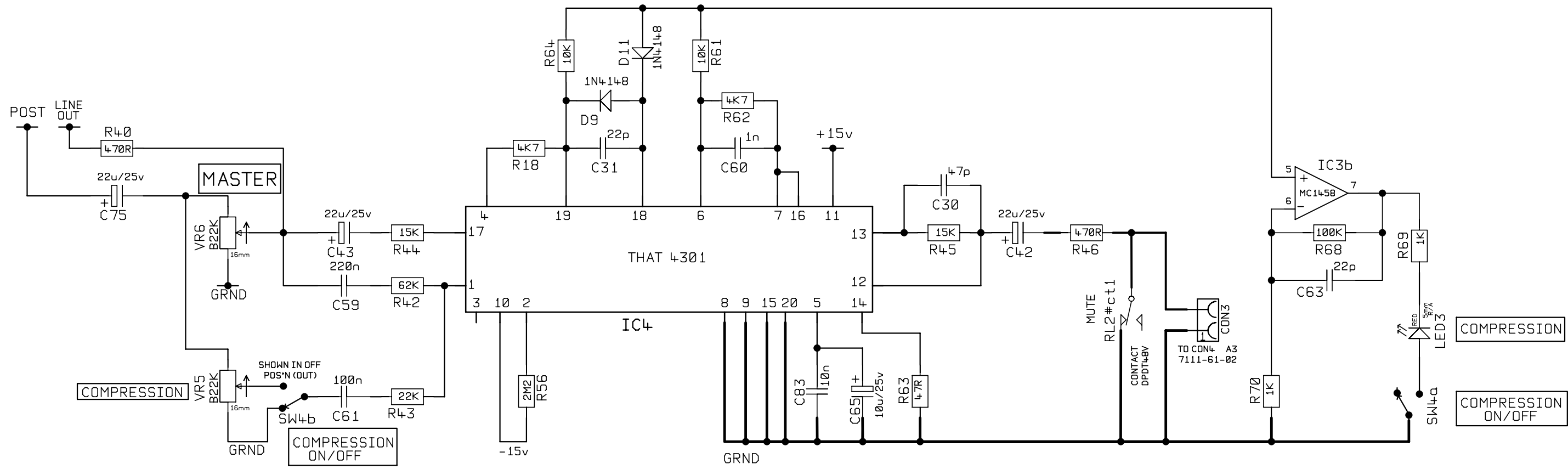


DWG.No. 7111-60-0C



ALL RESISTORS 1/4w UNLESS OTHERWISE STATED.  
 ALL SWITCHES SHOWN IN OFF POS'N.(OUT)  
 TO CON5 (G4)= TO CONNECTOR 5 GRID REF G4 ON DRG 7111-63-02

3	1074	10/01/96
2	0768	07/11/94
1	MANUFACTURE RELEASE	18/08/94
ISS	ECO NUMBER	DATE

ALL OTHER HOLES =		X = (THROUGH PLATED)	
A	E	J	N
B	F	K	P
C	G	L	Q
D	H	M	R

MATERIAL		DIMENSIONS IN	
MATERIAL THICKNESS		TOLERANCE (UNLESS OTHERWISE STATED)	
DRAWN T.FOY	DATE 23/06/94	MODEL	
CHECKED	DATE	72115,72410 (BASS)	
APPROVED	DATE		



TITLE		ISS
CCT DIAGRAM (PRE-AMP)		
DWG.No	7111-60-0C	3