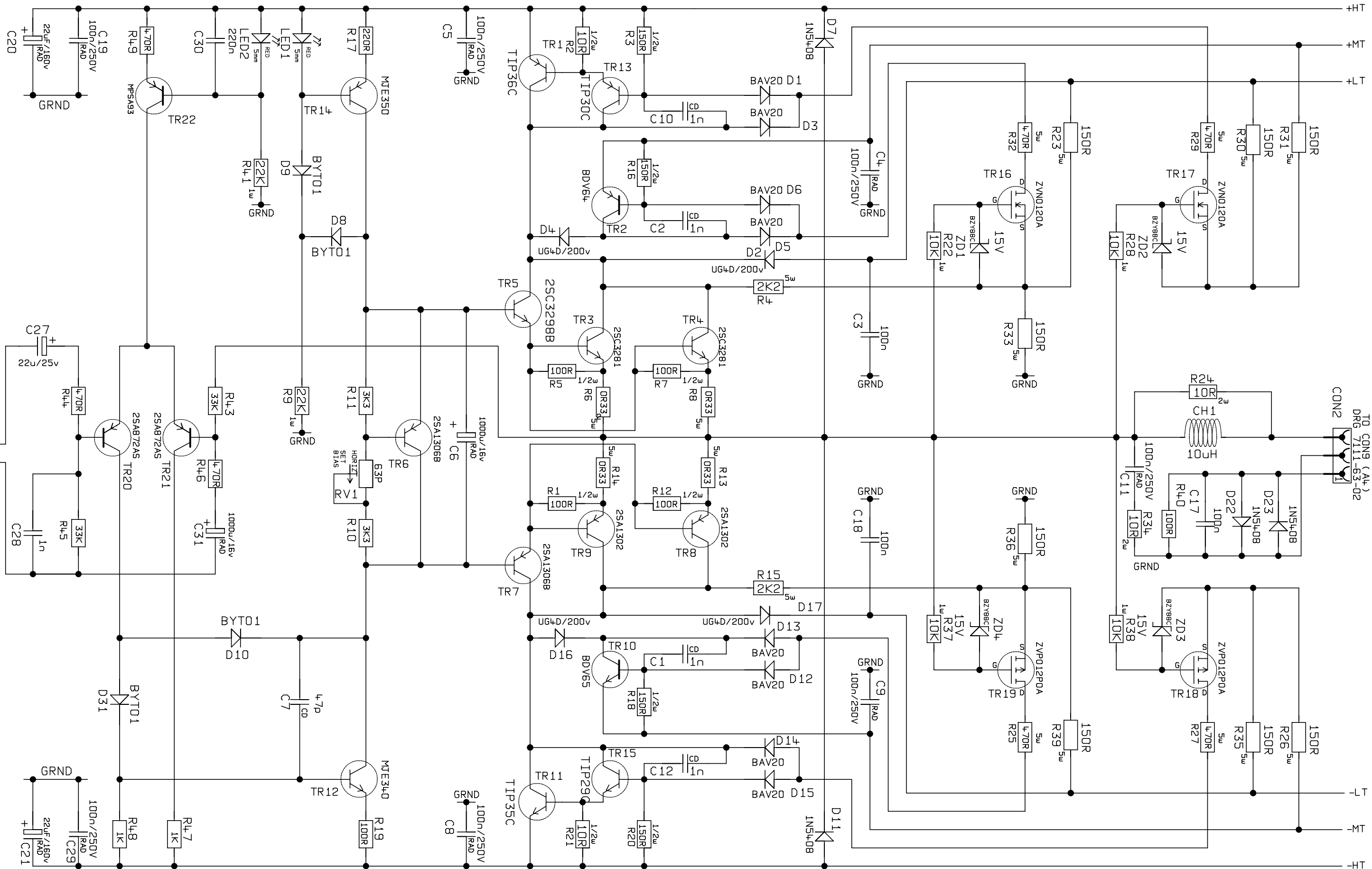


DWG.No. 7111-61-02



NOTE! : TR1,TR11,TR13,TR15,TR20 AND TR21 ARE SELECTED FOR HIGH BREAKDOWN VOLTAGE . USE ONLY MARSHALL REPLACEMENT PARTS FOR SERVICE .

3	0768	07/11/94	A	E	J	N	MATERIAL	DIMENSIONS IN	<p>© JIM MARSHALL (PRODUCTS) LTD. DENBIGH ROAD, BLETCHLEY, MILTON KEYNES, MK1 10G. TEL (0908)375411 FAX (0908)376118</p>	TITLE	CCT DIAGRAM (POWER AMP)		
2	0721	16/09/94	B	F	K	P	MATERIAL THICKNESS	TOLERANCE (UNLESS OTHERWISE STATED)		DWG.No	7111-61-02	ISS	3
1	MANUFACTURE RELEASE	18/08/94	C	G	L	Q	DRAWN T.FOY DATE 23/06/94	MODEL					
ISS	ECO NUMBER	DATE	D	H	M	R	CHECKED DATE	72115, 72410 (BASS)					
			ALL OTHER HOLES =				X = ( THROUGH PLATED )						