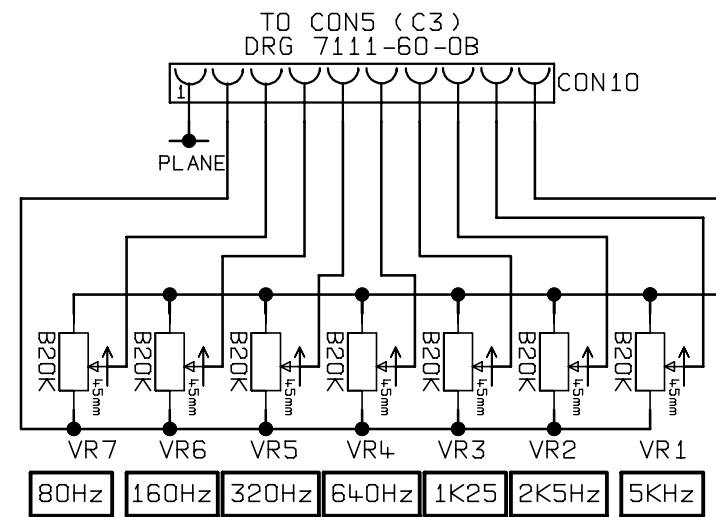



DWG.No. 7111-62-02



TO CON5 (C3) = TO CONNECTOR 5 GRID REF C3 DRG REF 7111-60-0B

		ALL OTHER HOLES =		X = (THROUGH PLATED)		MATERIAL		DIMENSIONS IN		 TITLE CCT DIAGRAM (GRAPHIC)	
						MATERIAL THICKNESS		TOLERANCE (UNLESS OTHERWISE STATED)			
						DRAWN T.FOY		DATE 23/06/94		© JIM MARSHALL (PRODUCTS) LTD. DENBIGH ROAD, BLETCHLEY, MILTON KEYNES, MK1 1DQ. TEL (0908)375411 FAX (0908)375118	
1		MANUFACTURE RELEASE		18/08/94		CHECKED		DATE			
ISS		ECO NUMBER		DATE		APPROVED		DATE		MODEL 72115.72410 (BASS)	