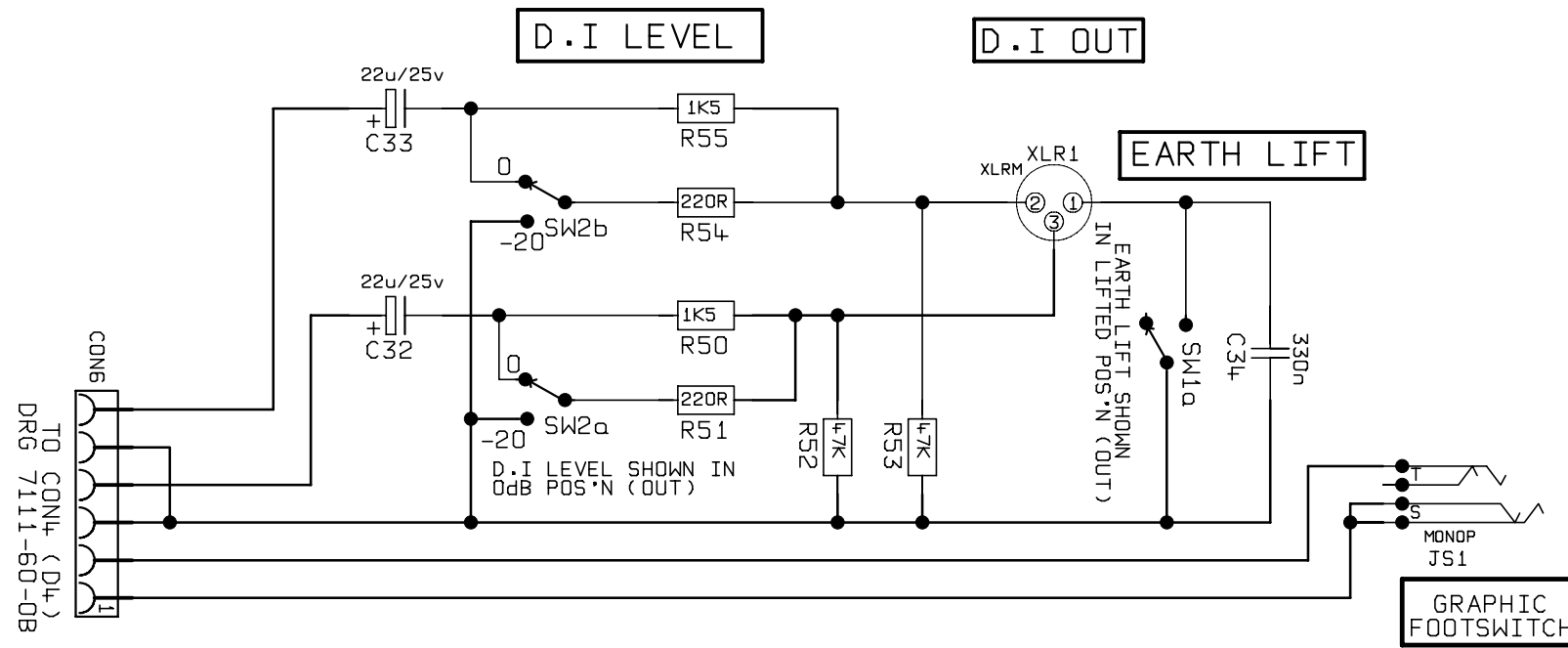



DWG.No. 7111-64-02



ALL SWITCHES SHOWN IN OFF POS*N UNLESS INDICATED.(OUT)
 ALL RESISTORS 1/4W UNLESS STATED.
 TO CON4 (D4) = TO CONNECTOR 4 GRID REF D4 DRG 7111-64-02

		ALL OTHER HOLES =		X = (THROUGH PLATED)		MATERIAL		DIMENSIONS IN		 © JIM MARSHALL (PRODUCTS) LTD. DENBIGH ROAD, BLETCHLEY, MILTON KEYNES, MK1 1DQ. TEL (0908)375411 FAX (0908)376118		TITLE CCT DIAGRAM D.I	
		A	E	J	N	MATERIAL THICKNESS		TOLERANCE (UNLESS OTHERWISE STATED)				DWG.No 7111-64-02	
		B	F	K	P	DRAWN T.FOY DATE 23/06/94				72115.72410 (BASS)			
1		MANUFACTURE RELEASE	18/08/94	C	G	CHECKED DATE		MODEL					
ISS		ECO NUMBER	DATE	D	H	APPROVED DATE							