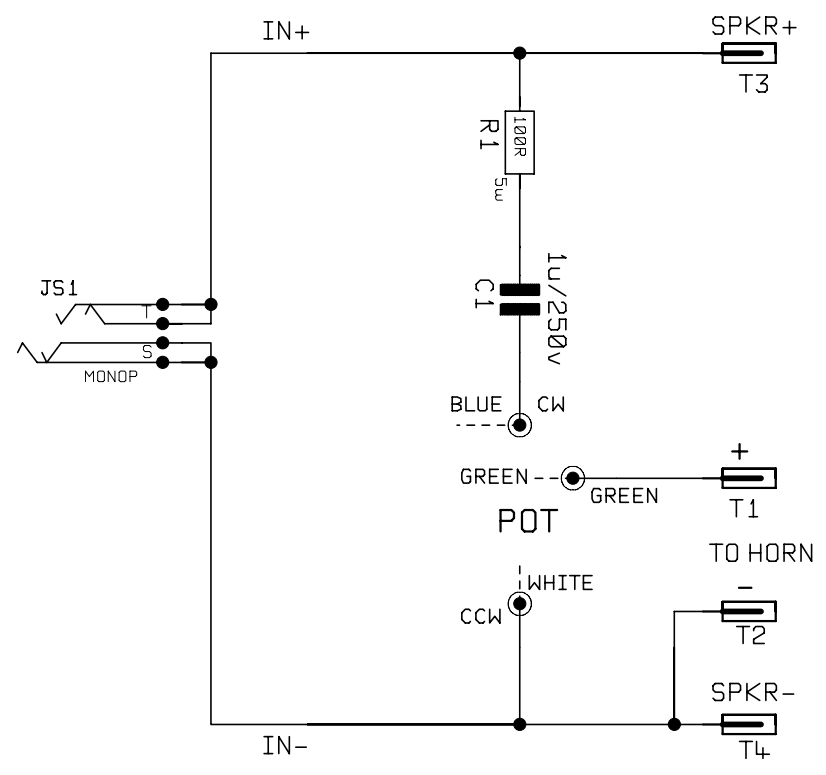


DWG.No. 7200-63-02

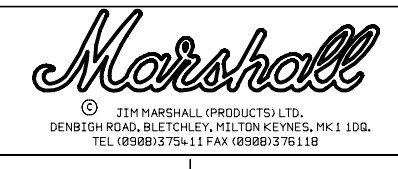


1
2
3
4
5
6

1
2
3
4
5
6

ALL OTHER HOLES =				X = (THROUGH PLATED)			
A	B	E	J	N			
B		F	K	P			
C		G	L	Q			
D		H	M	R			

MATERIAL		DIMENSIONS IN	
MATERIAL THICKNESS		TOLERANCE (UNLESS OTHERWISE STATED)	
DRAWN T.FOY	DATE 23/06/94		
CHECKED	DATE	MODEL 7041 (BASS)	
APPROVED	DATE		



TITLE CCT DIAGRAM (HORN)		ISS 1
DWG.No 7200-63-02		

A B C D E F G H