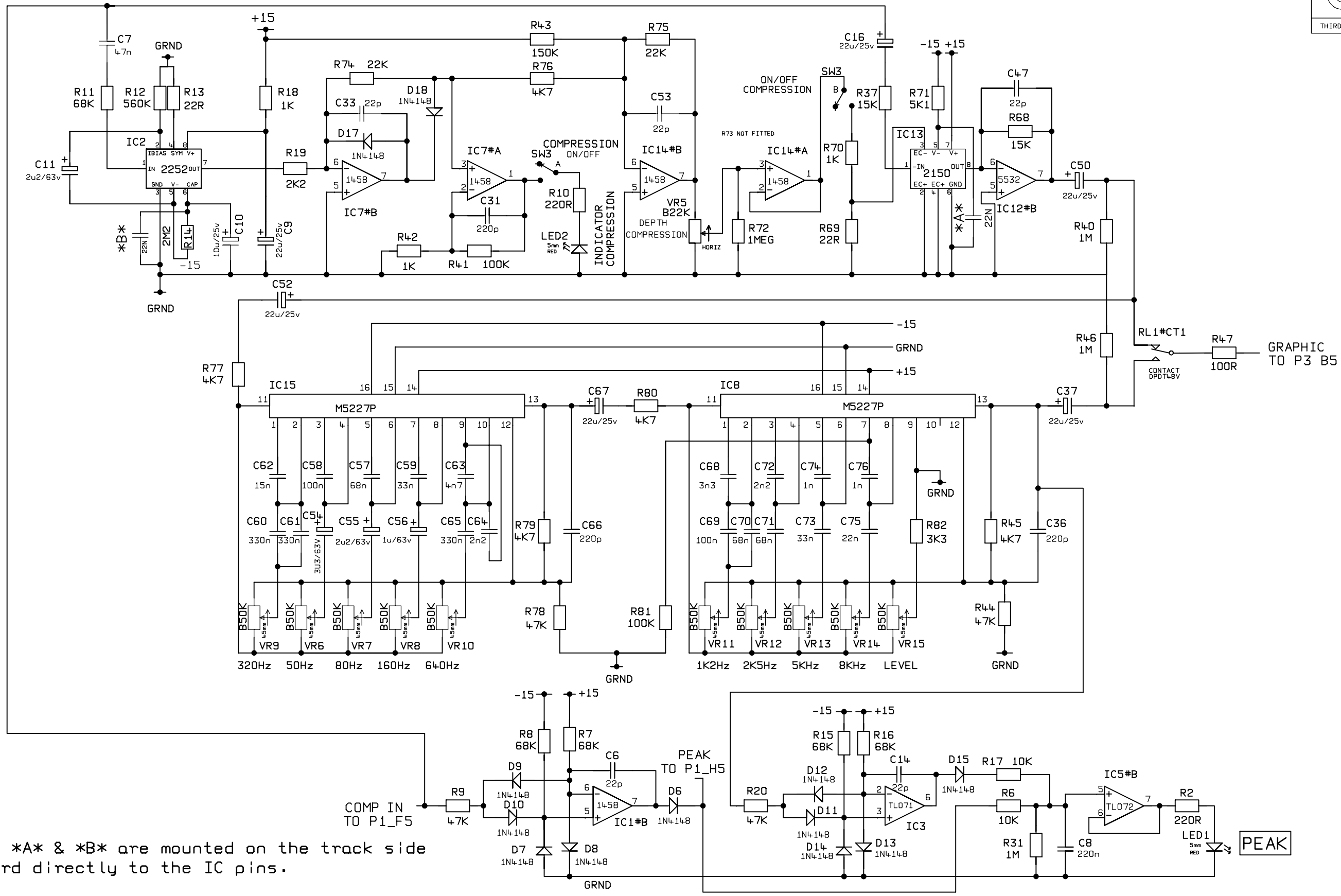
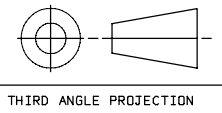


DWG.No. 7400-60-0B



NOTE !
 Components *A* & *B* are mounted on the track side of the board directly to the IC pins.

ALL SWITCHES SHOWN IN OFF POSITION
 TO P1 F5 = TO PAGE 1 GRID REF F5

UNSPECIFIED HOLE DATA			MATERIAL		DIMENSIONS IN		TITLE	
5	0881	1/8/95	A	H	MATERIAL THICKNESS	TOLERANCE (UNLESS OTHERWISE STATED)	MARSHALL AMPLIFICATION PLC. DENBIGH ROAD, BLETCHLEY, MILTON KEYNES, MK1 1DG. TEL (0908)375411 FAX (0908)376118	
4	0907	30/3/95	B	J	INTERNAL BEND RADI	DIMENSIONAL		
3	0600	11.5.94	C	K	EXTERNAL B/A	CENTRES	A2	2 OFF 8
2	0485	09/12/93	D	L	BEND DIE	ANGULAR	DWG.No	ISSUE
1	MANUFACTURE RELEASE	19/11/93	E	M	DRAWN B.K.	DATE 20.04.93	7400-60-0B	5
ISS	ECO NUMBER	DATE	F	N	CHECKED	DATE		
			G	P	APPROVED	DATE		

7400 (BASS)