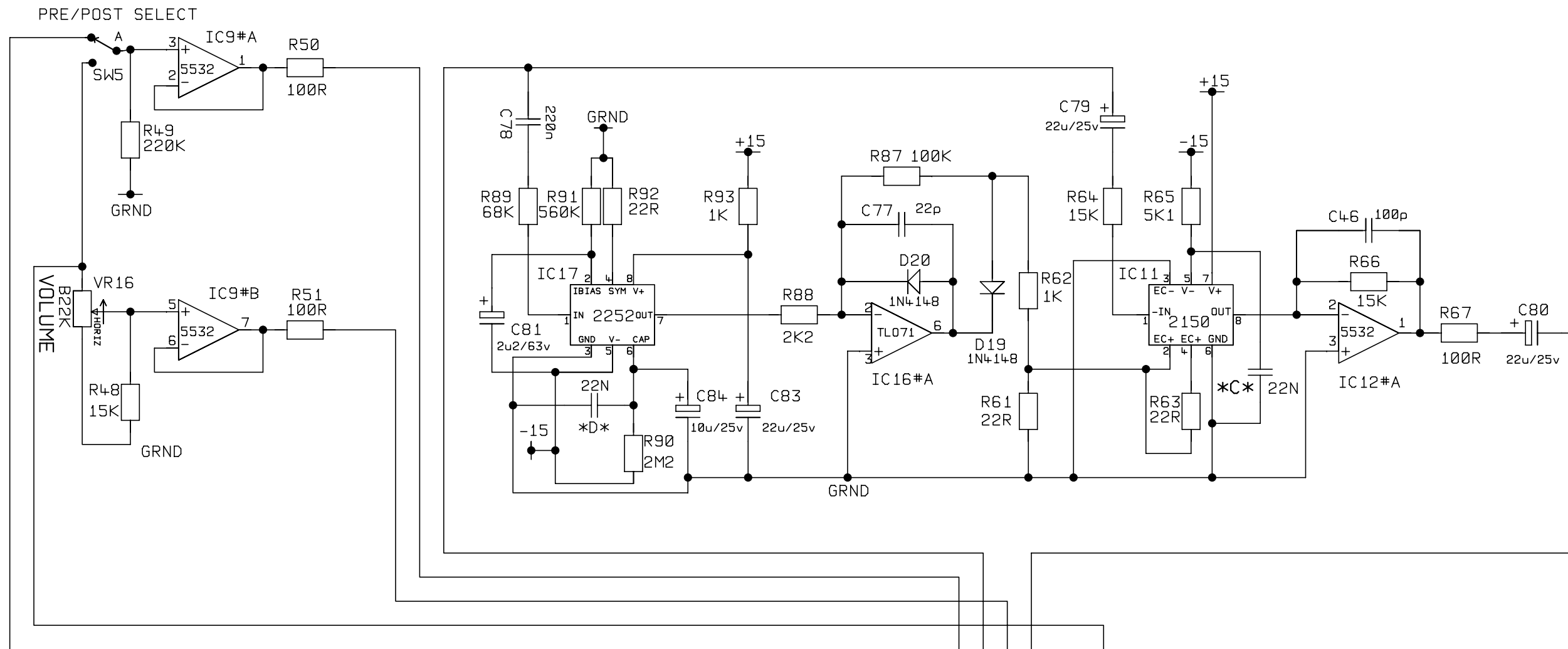
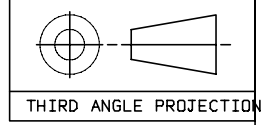
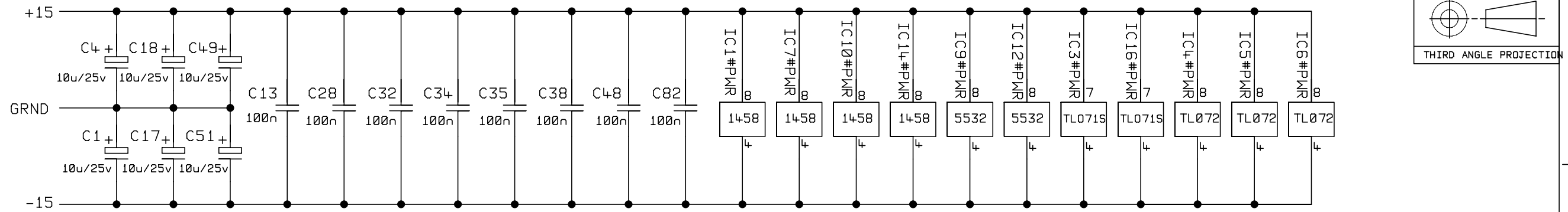


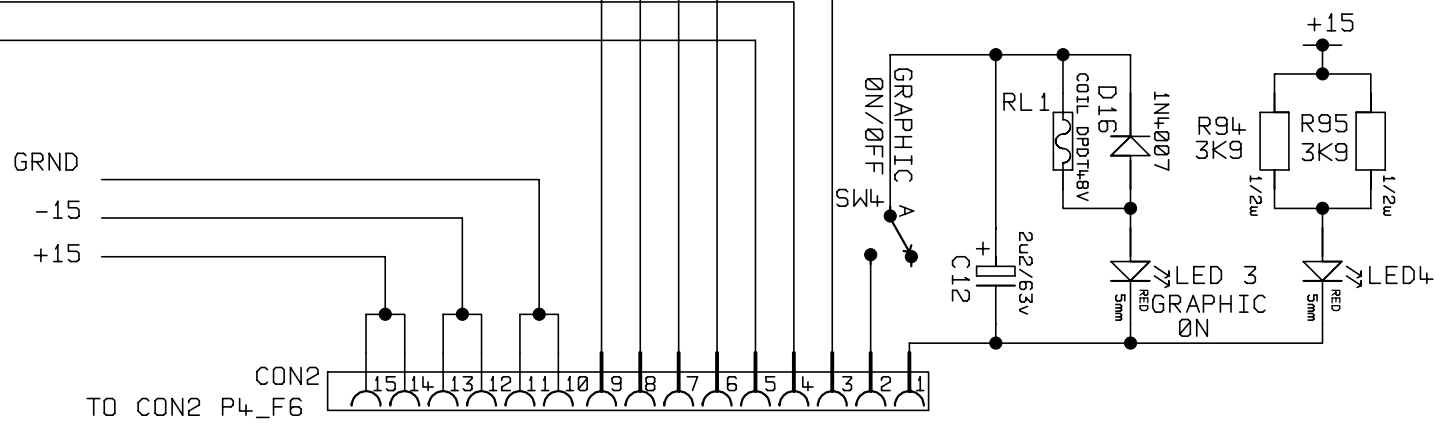
DWG.No. 7400-60-0C



GRAPHIC OUT TO P2_H3

NOTE !
 Components *C* & *D* are to be mounted on the track side of the board as close to the IC pins as possible.

ALL SWITCHES SHOWN IN OFF POSISTION TO P2_H3 = TO PAGE 2 GRID REF H3



UNSPECIFIED HOLE DATA			MATERIAL		DIMENSIONS IN		TITLE	
5	Ø881	1/8/95	A	H	MATERIAL THICKNESS	TOLERANCE (UNLESS UTERWISE STATED)	<i>Marshall</i>	
4	Ø752	10/11/94	B	J	INTERNAL BEND RADII	DIMENSIONAL		
3	Ø598 Ø600	11/5/94	C	K	EXTERNAL B/A	CENTRES	OUTPUT	
2	Ø485	09/12/93	D	L	BEND DIE	ANGULAR	3 OFF 8	
1	MANUFACTURE RELEASE	19/11/93	E	M	DRAWN B.K.	DATE 20.04.93	DWG.No 7400-60-0C	
ISS	ECO NUMBER	DATE	F	N	CHECKED	DATE	ISSUE	
			G	P	APPROVED	DATE	5	

COPYRIGHT EXISTS ON THIS DOCUMENT. IT MUST NOT BE USED FOR ANY PURPOSE THAN THAT FOR WHICH IT IS SUPPLIED AND MUST NOT BE REPRODUCED OR IN PART) WITHOUT WRITTEN PERMISSION FROM
 © MARSHALL AMPLIFICATION PLC.
 DENBIGH ROAD, BLETCHLEY, MILTON KEYNES, MK1 1DQ.
 TEL (0908)375411 FAX (0908)376118

7400 (BASS)