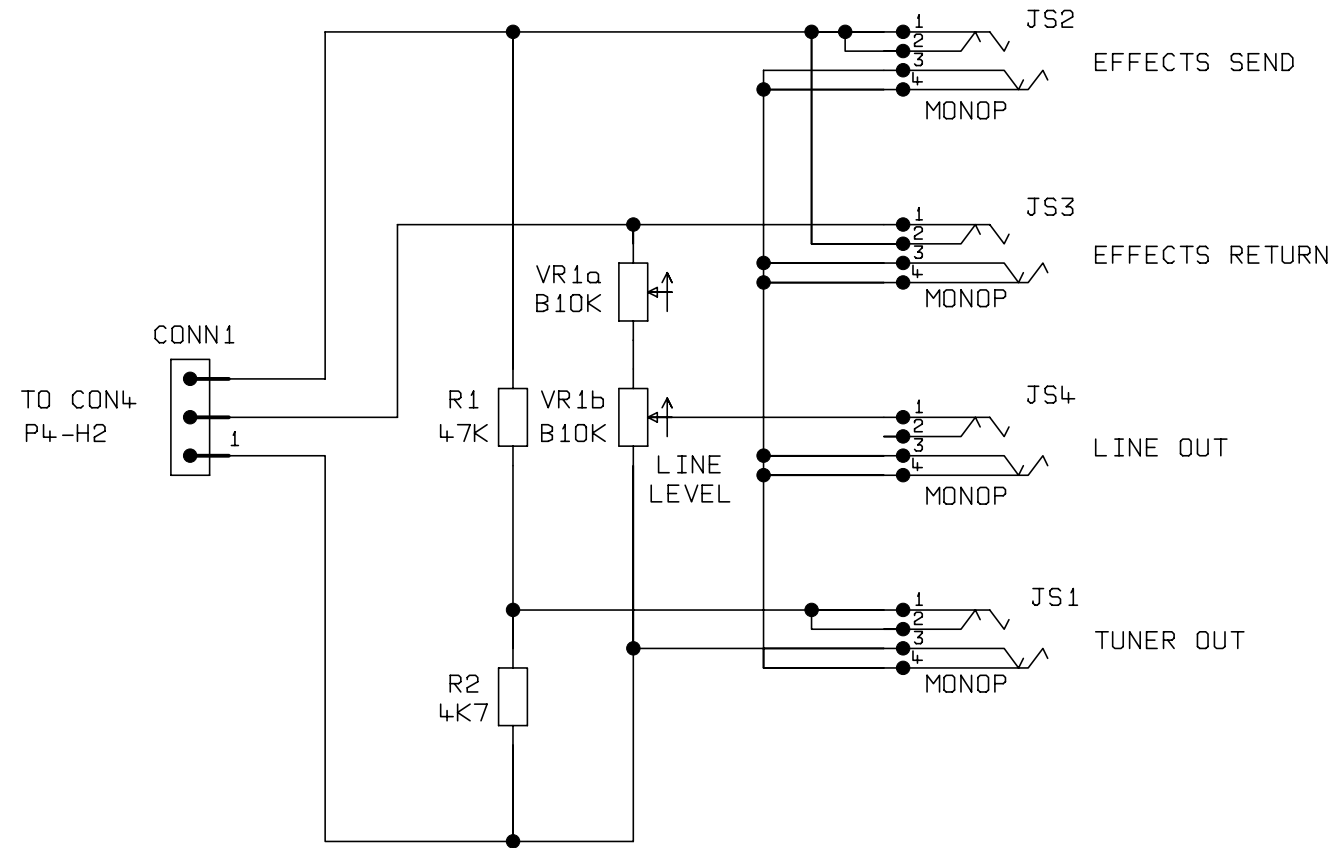
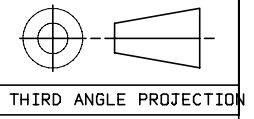


DWG.No. 7400-62-02



UNSPECIFIED HOLE DATA

			A	H
			B	J
			C	K
3	0600	11/05/94	D	L
2	0485	09/12/93	E	M
1	FIRST RELEASE	02/09/93	F	N
ISS	ECO NUMBER	DATE	G	P

MATERIAL

MATERIAL THICKNESS	
INTERNAL BEND RADII	
EXTERNAL B/A	
BEND DIE	
DRAWN B.K.	DATE 06.04.93
CHECKED	DATE
APPROVED	DATE

DIMENSIONS IN

TOLERANCE (UNLESS OTHERWISE STATED)
DIMENSIONAL
CENTRES
ANGULAR
MODEL
7400 (BASS)

*Marshall*

COPYRIGHT EXISTS ON THIS DOCUMENT. IT MUST NOT BE USED FOR ANY PURPOSE THAN THAT FOR WHICH IT IS SUPPLIED AND MUST NOT BE COPIED (IN WHOLE OR IN PART) WITHOUT WRITTEN PERMISSION FROM  
 ©MARSHALL AMPLIFICATION PLC.  
 DENBIGH ROAD, BLETCHLEY, MILTON KEYNES, MK1 1DQ.  
 TEL (0908)375411 FAX (0908)376118

TITLE

EFFECTS CCT	
5 OFF 8	
DWG.No	ISSUE
7400-62-02	3