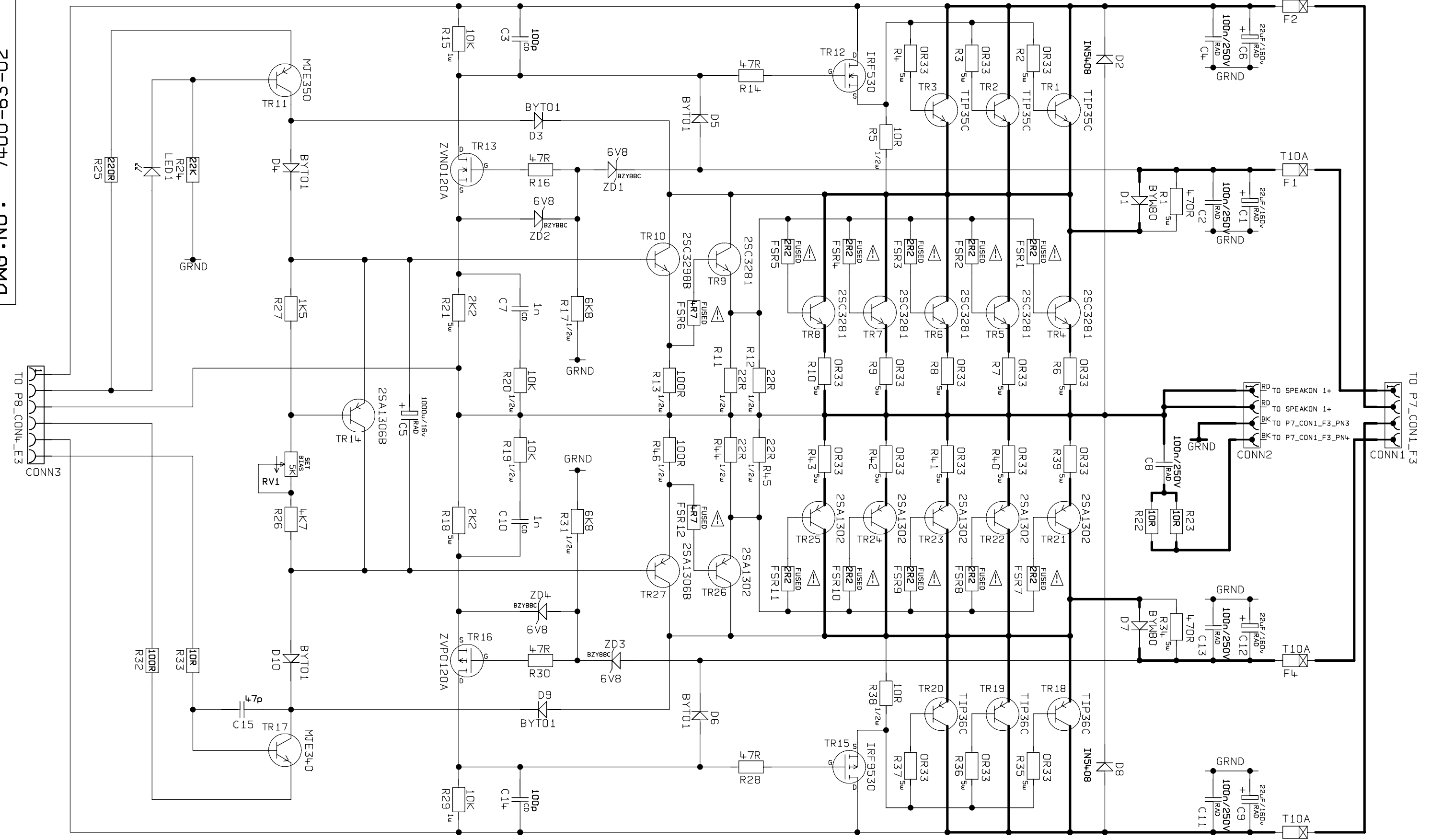


NOTE . ⚠ 1) CAUTION! REPLACE FUSIBLE RESISTORS WITH SAME TYPE AND RATING. 2) ATTENTION! UTILISER UN FUSIBLE RESISTORS DE RECHARGE DE MEME TYPE.

DWG.No. 7400-63-02



TO P7_CON1_F3_PN4 = TO PAGE 7 CONNECTOR 1 GRID REF F3 PIN4

5	0576	18/03/94
4	0569	11/03/94
3	0524	27/1/94
2	0485	10/12/93
1	FIRST RELEASE	25/06/93
ISS	ECO NUMBER	DATE

UNSPECIFIED HOLE DATA	
A	H
B	J
C	K
D	L
E	M
F	N
G	P

MATERIAL	
MATERIAL THICKNESS	
INTERNAL BEND RADII	
EXTERNAL B/A	
BEND DIE	
DRAWN B.K.	DATE 27.05.93
CHECKED	DATE
APPROVED	DATE

DIMENSIONS IN	
TOLERANCE (UNLESS OTHERWISE STATED)	
DIMENSIONAL	
CENTRES	
ANGULAR	
MODEL	7400(BASS)

Marshall

COPYRIGHT EXISTS ON THIS DOCUMENT. IT MUST NOT BE USED FOR ANY PURPOSE THAN THAT FOR WHICH IT IS SUPPLIED AND MUST NOT BE COPIED (IN WHOLE OR IN PART) WITHOUT WRITTEN PERMISSION FROM

© DENBIGH ROAD, BLETCHLEY, MILTON KEYNES, MK1 1DQ. TEL (0908)375411 FAX (0908)376118

TITLE	POWER AMP.
DWG.No	7400-63-02
ISSUE	5