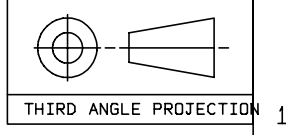
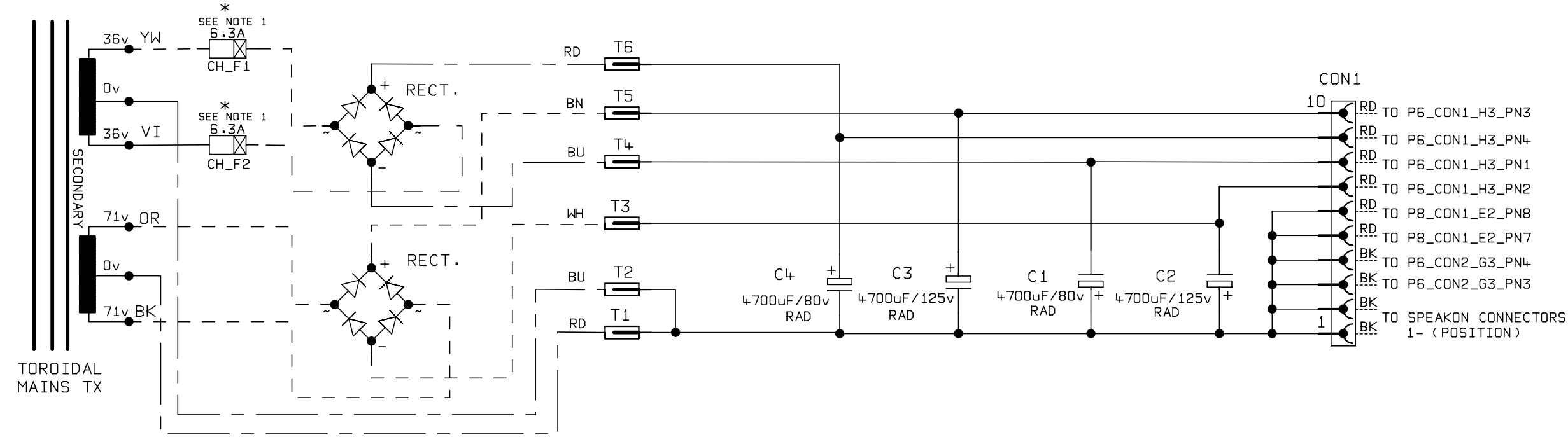


DWG.No. 7400-64-02



230/240v TRANSFORMER TYPE 07-440  
 100/115/130v= TRANSFORMER TYPE 07-439



- NOTES  
 1) THESE FUSES ARE ONLY FITTED TO UNITS COUNTRY IDENTS A.D.E.H.K.S.V.X.  
 2) DOTTED LINES DENOTE WIRES OFF THE P.C.B  
 3) TO P6\_CON2\_G3\_PN3 = TO PAGE 6 CONNECTOR 2 GRID REF G3 PIN3.

UNSPECIFIED HOLE DATA				MATERIAL		DIMENSIONS IN		TITLE	
6	1340	31/01/96	A	H	MATERIAL THICKNESS	TOLERANCE (UNLESS OTHERWISE STATED)			
5	1307	15/10/96	B	J	INTERNAL BEND RADII	DIMENSIONAL			
4	0844	17/01/95	C	K	EXTERNAL B/A	CENTRES		7 OFF 8	
3	0600; 0622; 0639	30/05/94	D	L	BEND DIE	ANGULAR			
2	0485	09/12/93	E	M	DRAWN T.FOY	DATE 06.04.93	MODEL	DWG.No <b>7400-64-02</b>	
1	FIRST RELEASE	03/09/93	F	N	CHECKED	DATE	ISSUE		
ISS	ECO NUMBER	DATE	G	P	APPROVED	DATE	7400(BASS)		

COPYRIGHT EXISTS ON THIS DOCUMENT. IT MUST NOT BE USED FOR ANY PURPOSE THAN THAT FOR WHICH IT IS SUPPLIED AND MUST NOT BE COPIED, REPRODUCED OR IN PART) WITHOUT WRITTEN PERMISSION FROM  
 © MARSHALL AMPLIFICATION PLC.  
 DENBIGH ROAD, BLETCHLEY, MILTON KEYNES, MK1 1DQ.  
 TEL (0908)375411 FAX (0908)376118