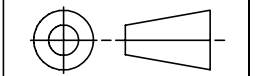


DWG.No. 7400-65-02

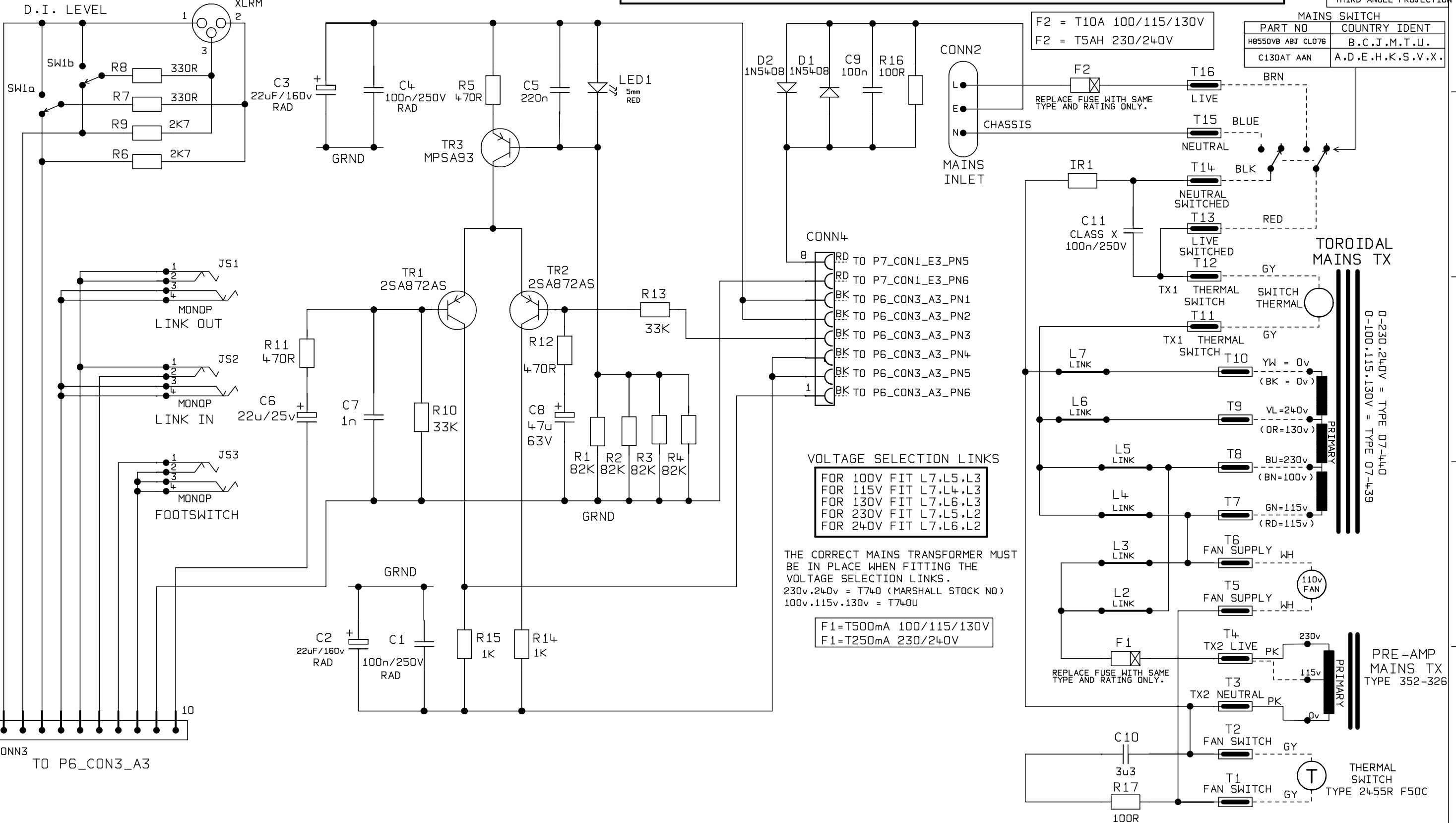
D.I LEVEL SWITCH SHOWN IN "OUT" POSITION

NOTE . ⚠ 1) CAUTION! REPLACE FUSIBLE RESISTORS WITH SAME TYPE AND RATING. 2) ATTENTION! UTILISER UN FUSIBLE RESISTORS DE RECHARGE DE MEME TYPE.



THIRD ANGLE PROJECTION

PART NO		COUNTRY IDENT	
H8550VB ABJ CL076		B.C.J.M.T.U.	
C130AT AAN		A.D.E.H.K.S.V.X.	



VOLTAGE SELECTION LINKS

FOR 100V FIT L7.L5.L3
 FOR 115V FIT L7.L4.L3
 FOR 130V FIT L7.L6.L3
 FOR 230V FIT L7.L5.L2
 FOR 240V FIT L7.L6.L2

THE CORRECT MAINS TRANSFORMER MUST BE IN PLACE WHEN FITTING THE VOLTAGE SELECTION LINKS.
 230v,240v = T740 (MARSHALL STOCK NO)
 100v,115v,130v = T740U

F1=T500mA 100/115/130V
 F1=T250mA 230/240V

TO P6_CON3_A3_PN5 = TO PAGE 6 CONNECTOR 3 GRID REF A3 PIN 5.
 (BK = 0v) = 100,115,130v TRANSFORMER WIRE COLOUR AND VOLTAGE.
 DOTTED WIRES DENOTE WIRES OFF THE P.C.B.

7	1340	10/12/96	UNSPECIFIED HOLE DATA			MATERIAL		DIMENSIONS IN		<p>COPYRIGHT EXISTS ON THIS DOCUMENT. IT MUST NOT BE USED FOR ANY PURPOSE THAN THAT FOR WHICH IT IS SUPPLIED AND MUST NOT BE REPRODUCED OR IN PART) WITHOUT WRITTEN PERMISSION FROM © MARSHALL AMPLIFICATION PLC. DENBIGH ROAD, BLETCHLEY, MILTON KEYNES, MK1 1DQ. TEL (0908)375411 FAX (0908)376118</p>	TITLE	
6	0844	17/01/95	A	H	MATERIAL THICKNESS		TOLERANCE (UNLESS OTHERWISE STATED)		OUTPUT CCT			
5	0600 0622	30/05/94	B	J	INTERNAL BEND RADII		DIMENSIONAL		8 OFF 8			
4	0569	14/03/94	C	K	EXTERNAL B/A		CENTRES		DWG.No			
3	0577	25/2/94	D	L	BEND DIE		ANGULAR		7400-65-02			
2	0485	10/12/93	E	M	DRAWN B.K		MODEL		ISSUE			
1	FIRST RELEASE	10/08/93	F	N	DATE 27/05/93		7400 (BASS)		7			
ISS	ECO NUMBER	DATE	G	P	CHECKED DATE		APPROVED DATE					