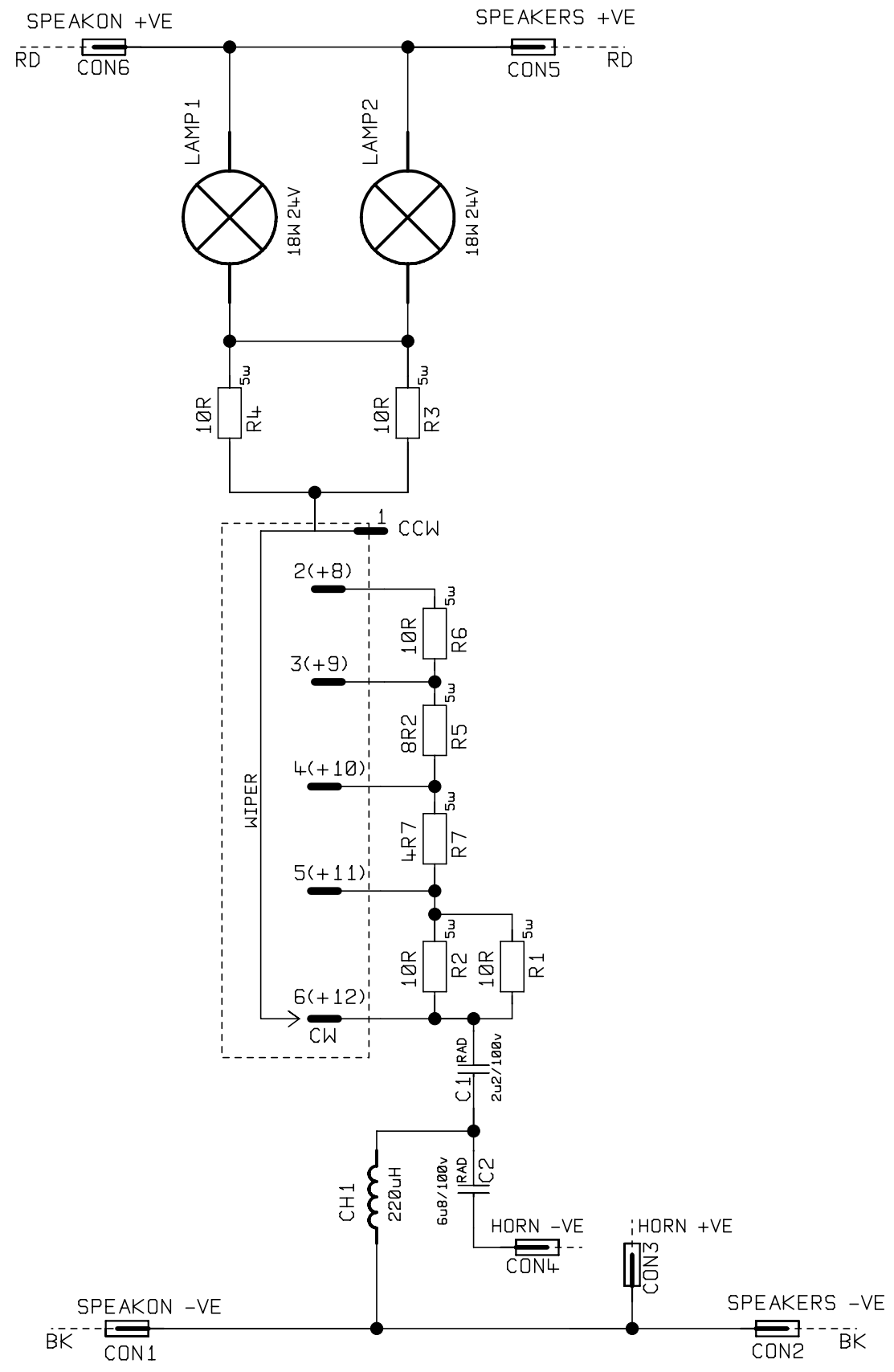
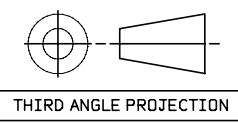


DWG.No. 7400-66-02



NOTE

- 1) DOTTED LINES DENOTE WIRES OFF THE BOARD.
- 2) SWITCH DETAIL
2(+8) = CONTACT 2 & 8 ARE PARALLELED TOGETHER

UNSPECIFIED HOLE DATA			MATERIAL		DIMENSIONS IN		TITLE	
A		H	MATERIAL THICKNESS		TOLERANCE (UNLESS OTHERWISE STATED)			
B		J	INTERNAL BEND RADII		DIMENSIONAL			
C		K	EXTERNAL B/A		CENTRES		<small>COPYRIGHT EXISTS ON THIS DOCUMENT. IT MUST NOT BE USED FOR ANY PURPOSE THAN THAT FOR WHICH IT IS SUPPLIED AND MUST NOT BE COPIED (IN WHOLE OR IN PART) WITHOUT WRITTEN PERMISSION FROM MARSHALL AMPLIFICATION PLC. DENBIGH ROAD, BLETCHEY, MILTON KEYNES, MK1 1DQ. TEL (0900)375411 FAX (0900)376118</small>	
D		L	BEND DIE		ANGULAR			
E		M	DRAWN T.FOY	DATE 22-7-93	MODEL		DWG.No 7400-66-02 ISSUE 1	
F		N	CHECKED	DATE	7400			
G		P	APPROVED	DATE				
ISS	ECO NUMBER	DATE						