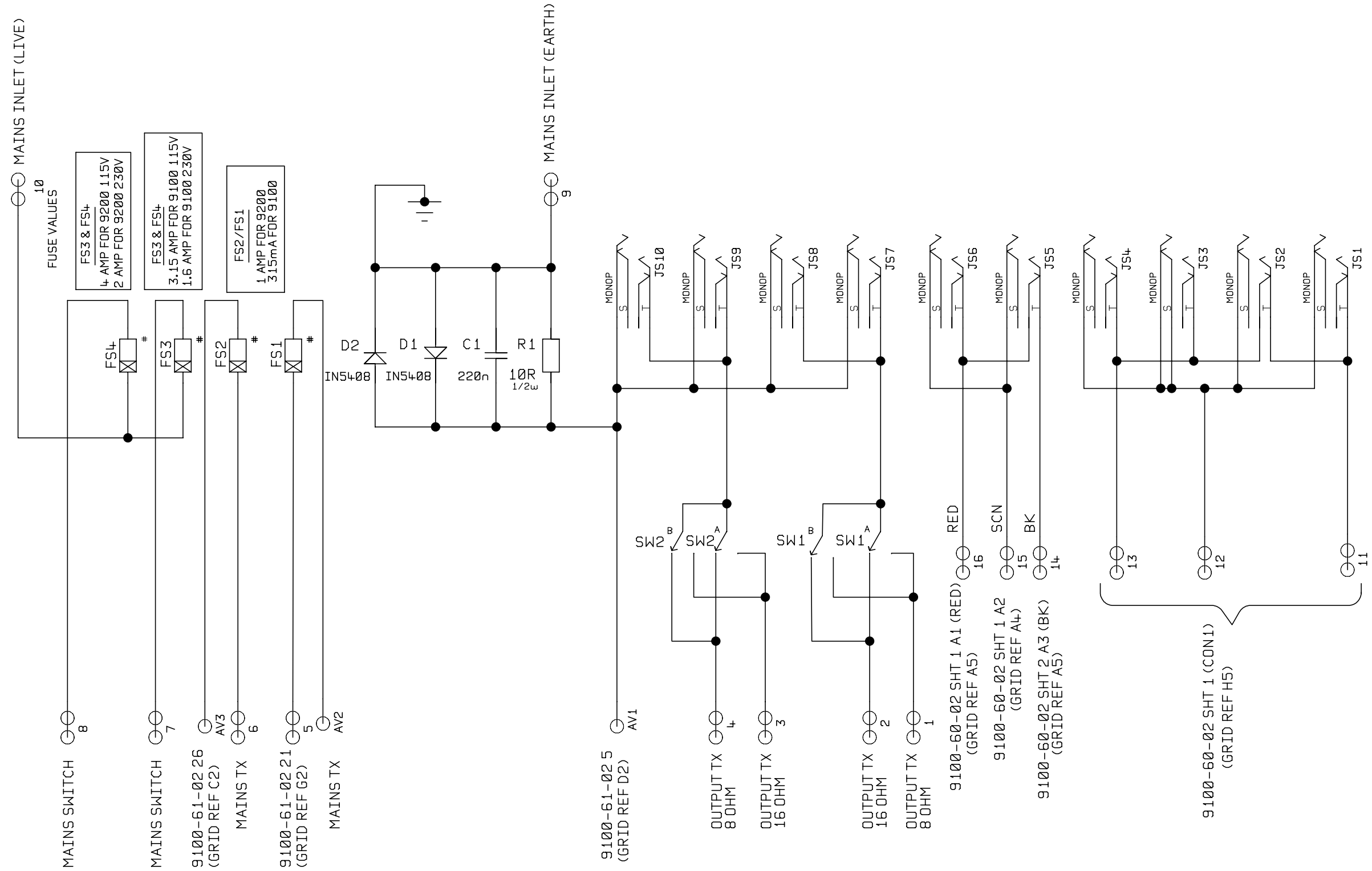
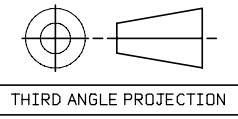


DWG.No. 9100-62-02



UNSPECIFIED HOLE DATA

| | |
|---|---|
| A | H |
| B | J |
| C | K |
| D | L |
| E | M |
| F | N |
| G | P |

| | |
|----------------------|-------------|
| MATERIAL | |
| MATERIAL THICKNESS | |
| INTERNAL BEND RADIUS | |
| EXTERNAL B/A | |
| BEND DIE | |
| DRAWN A.G. | DATE 8-6-93 |
| CHECKED | DATE |
| APPROVED | DATE |

| | |
|-------------------------------------|-----------|
| DIMENSIONS IN | |
| TOLERANCE (UNLESS OTHERWISE STATED) | |
| DIMENSIONAL | |
| CENTRES | |
| ANGULAR | |
| MODEL | 9100/9200 |



COPYRIGHT EXISTS ON THIS DOCUMENT. IT MUST NOT BE USED FOR ANY PURPOSE THAN THAT FOR WHICH IT IS SUPPLIED AND MUST NOT BE COPIED (IN WHOLE OR IN PART) WITHOUT WRITTEN PERMISSION FROM
 MARSHALL AMPLIFICATION PLC.
 DENBIGH ROAD, BLETCHLEY, MILTON KEYNES, MK1 1DQ.
 TEL (0908)375411 FAX (0908)376118

| | |
|------------------------------|-------|
| TITLE | |
| CCT DIAG INPUT/OUTPUT PCB | |
| DWG.No | ISSUE |
| 9100-62-02 | 4 |

| | | |
|-----|------------|----------|
| 4 | 0725 | 27-10-94 |
| 3 | 0659 | 8-6-94 |
| ISS | ECO NUMBER | DATE |