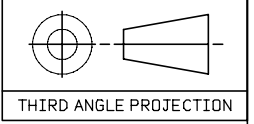
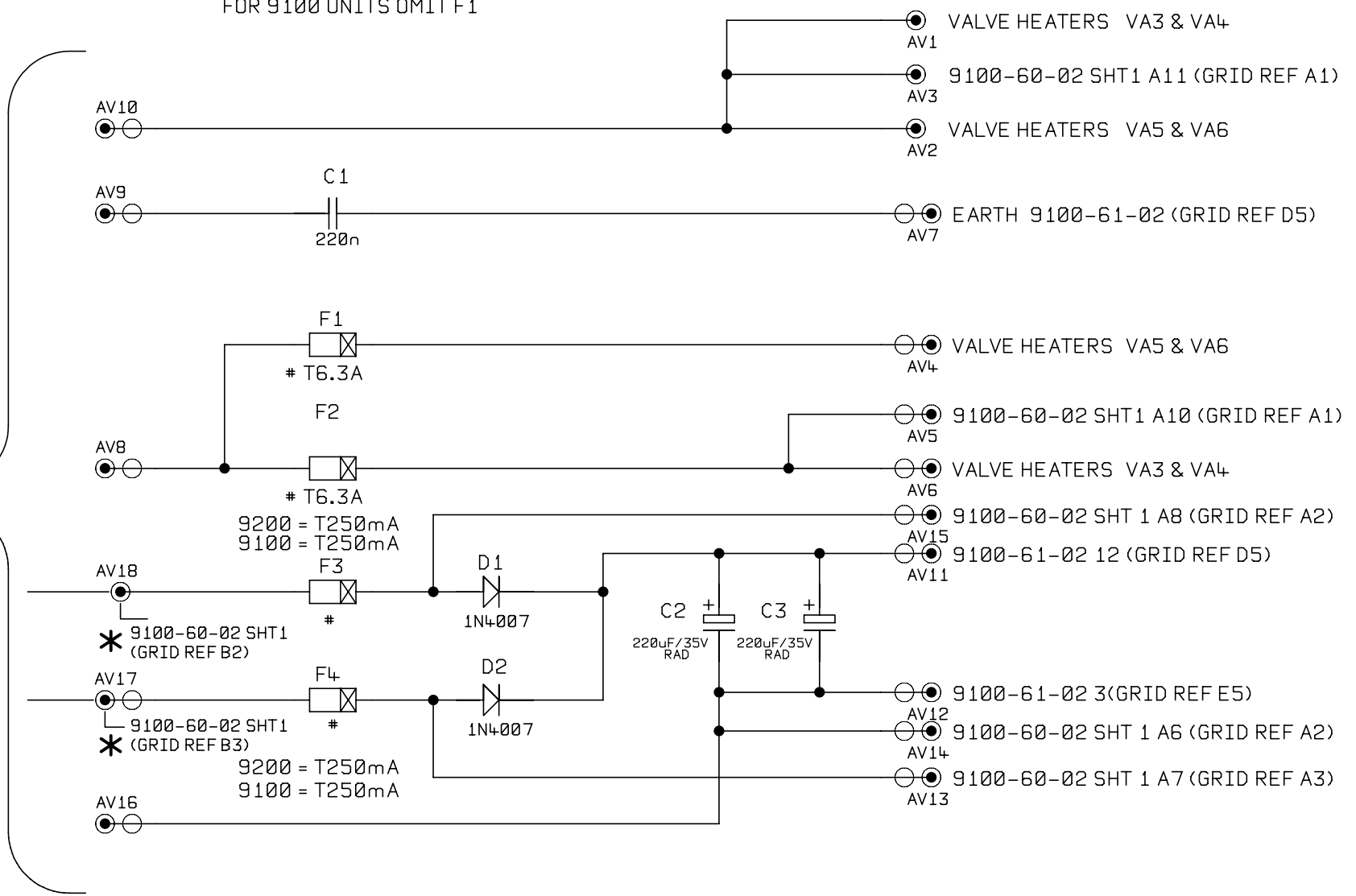


DWG.No. 9100-63-02



MAINS TRANSFORMER

FOR 9100 UNITS OMIT F1



* SEMKO ONLY

UNSPECIFIED HOLE DATA

			A	H
7	0725	27-10-94	B	J
6	0659	8-6-94	C	K
5	0606	19-4-94	D	L
4	0502	16-12-93	E	M
3	0467	12-11-93	F	N
ISS	ECO NUMBER	DATE	G	P

MATERIAL	
MATERIAL THICKNESS	
INTERNAL BEND RADIUS	
EXTERNAL B/A	
BEND DIE	
DRAWN A.G.	DATE 8-6-93
CHECKED	DATE
APPROVED	DATE

DIMENSIONS IN	
TOLERANCE (UNLESS OTHERWISE STATED)	
DIMENSIONAL	
CENTRES	
ANGULAR	
MODEL	
9100/9200	



COPYRIGHT EXISTS ON THIS DOCUMENT. IT MUST NOT BE USED FOR ANY PURPOSE THAN THAT FOR WHICH IT IS SUPPLIED AND MUST NOT BE COPIED (IN WHOLE OR IN PART) WITHOUT WRITTEN PERMISSION FROM
 MARSHALL AMPLIFICATION PLC.
 DENBIGH ROAD, BLETCHLEY, MILTON KEYNES, MK1 1DQ.
 TEL (0900)375411 FAX (0900)376118

TITLE	
CCT DIAG FUSE PCB'S	
DWG.No	ISSUE
9100-63-02	7