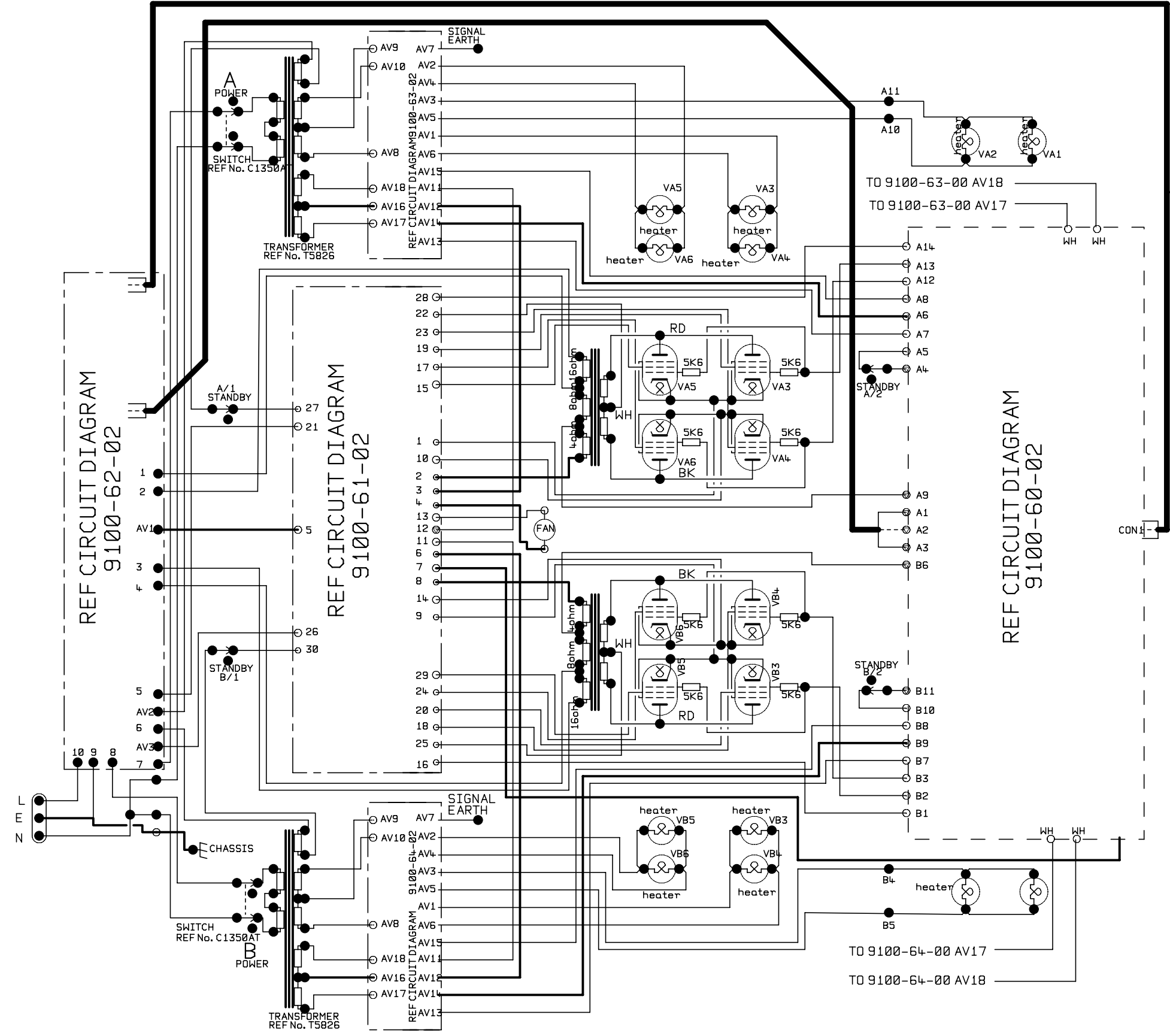
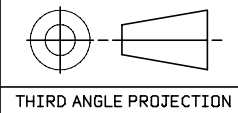


DWG.No. 9200-65-02



REF CIRCUIT DIAGRAM
9100-62-02

REF CIRCUIT DIAGRAM
9100-61-02

REF CIRCUIT DIAGRAM
9100-60-02

UNSPECIFIED HOLE DATA

A	H
B	J
C	K
D	L
E	M
F	N
G	P

MATERIAL

MATERIAL THICKNESS	
INTERNAL BEND RADIUS	
EXTERNAL B/A	
BEND DIE	
DRAWN A.G.	DATE 13-9-93
CHECKED	DATE
APPROVED	DATE

DIMENSIONS IN

TOLERANCE (UNLESS OTHERWISE STATED)
DIMENSIONAL
CENTRES
ANGULAR
MODEL
9200



COPYRIGHT EXISTS ON THIS DOCUMENT. IT MUST NOT BE USED FOR ANY PURPOSE THAN THAT FOR WHICH IT IS SUPPLIED AND MUST NOT BE COPIED (IN WHOLE OR IN PART) WITHOUT WRITTEN PERMISSION FROM
MARSHALL AMPLIFICATION PLC.
DENBIGH ROAD, BLETCHLEY, MILTON KEYNES, MK1 1DQ.
TEL (0908)375411 FAX (0908)376118

TITLE

9100/9200 CCT DIAG	
DWG.No	ISSUE
9200-65-02	5

5	0725	27-10-94
4	0606	19-4-94
3	0502	16-12-93
ISS	ECO NUMBER	DATE