


SHEET 1 OF 3
DWG.No. AVT100-60-02

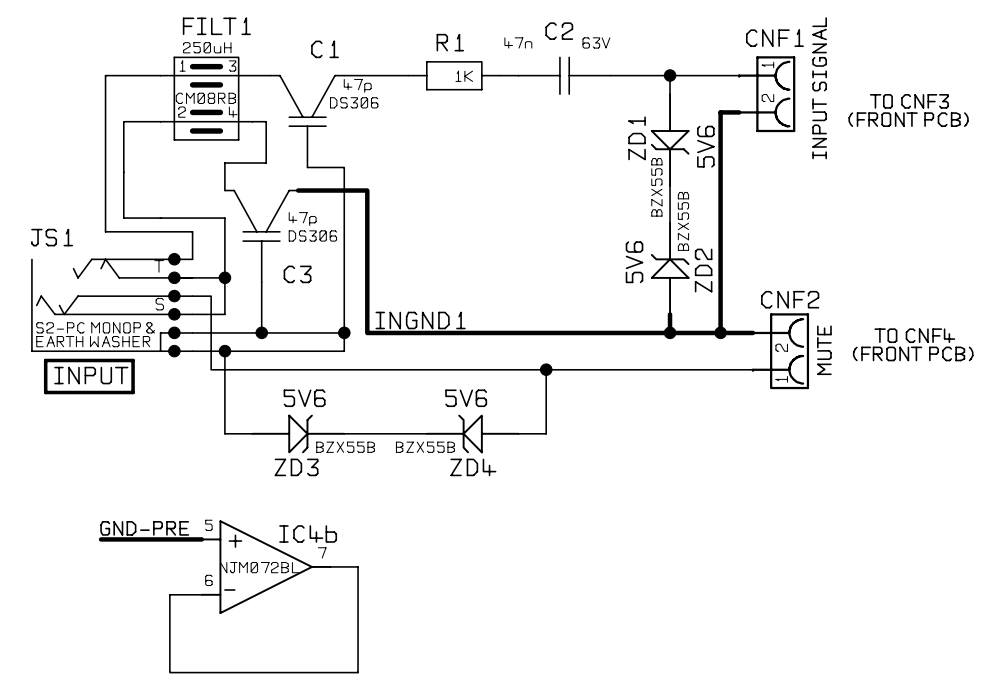
NOTE:-
UNLESS OTHERWISE STATED ALL RESISTORS ARE 1/8W

2		2005		28/06/01		ALL OTHER HOLES =		X = (THROUGH PLATED)		MATERIAL		DIMENSIONS IN		 <p>© MARSHALL AMPLIFICATION PLC DENBIGH ROAD, BLETCHLEY, MILTON KEYNES, MK1 1DQ. TEL (01908) 375411 FAX (01908) 376118</p>		TITLE FRONT PCB CIRCUIT DIAGRAM	
1		05/10/00		05/10/00		A		B		DRAWN RSB		DATE 25/09/00				DWG.No AVT100-60-02	
ISS		ECO NUMBER		DATE		C		D		CHECKED		DATE				SHEET 1 OF 3 ISS 2	

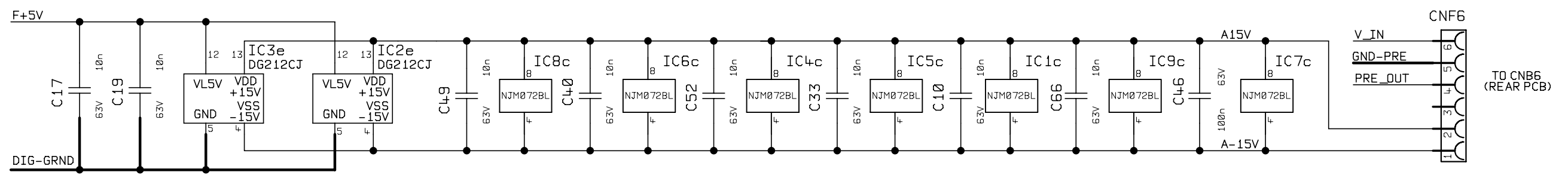
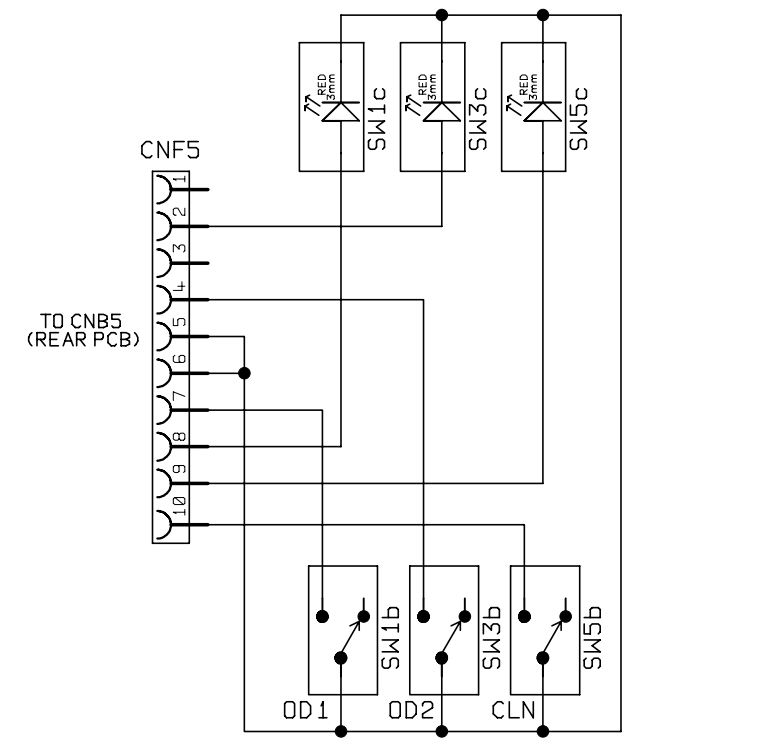
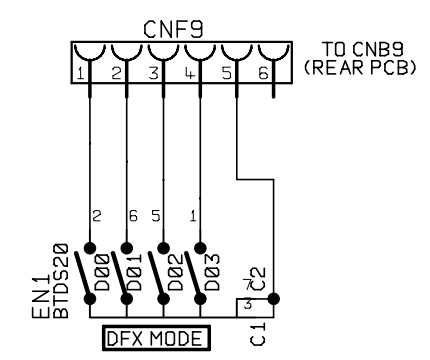
SHEET 3 OF 3
DWG.No. AVT100-60-02


NOTE:-
UNLESS OTHERWISE STATED ALL RESISTORS ARE 1/8W

JACKSOCKET PCB



ENCODER PCB



			ALL OTHER HOLES =				X = (THROUGH PLATED)				MATERIAL		DIMENSIONS IN		 MARSHALL AMPLIFICATION PLC DENBIGH ROAD, BLETCHLEY, MILTON KEYNES, MK1 1DQ. TEL (01908) 375411 FAX (01908) 376118		TITLE	
2	2005	28/06/01	A	E	J	N	MATERIAL THICKNESS		TOLERANCE (UNLESS OTHERWISE STATED)		MODEL		FRONT PCB					
1		05/10/00	B	F	K	P	DRAWN RSB DATE 25/09/00				AVT100		CIRCUIT DIAGRAM					
ISS	ECO NUMBER	DATE	C	G	L	Q	CHECKED DATE						DWG.No. AVT100-60-02					
			D	H	M	R	APPROVED DATE						SHEET 3 OF 3 ISS 2					