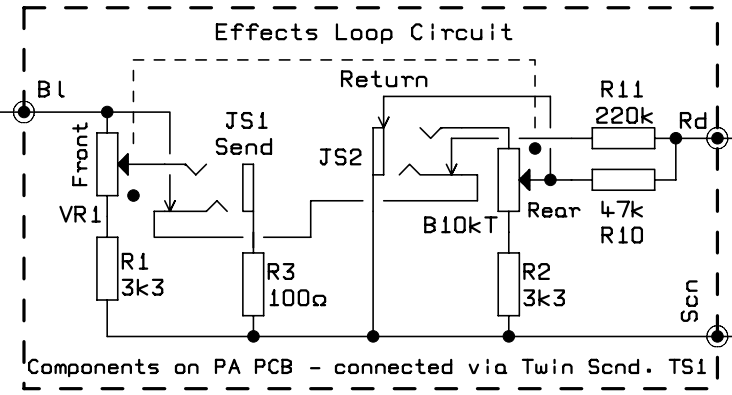


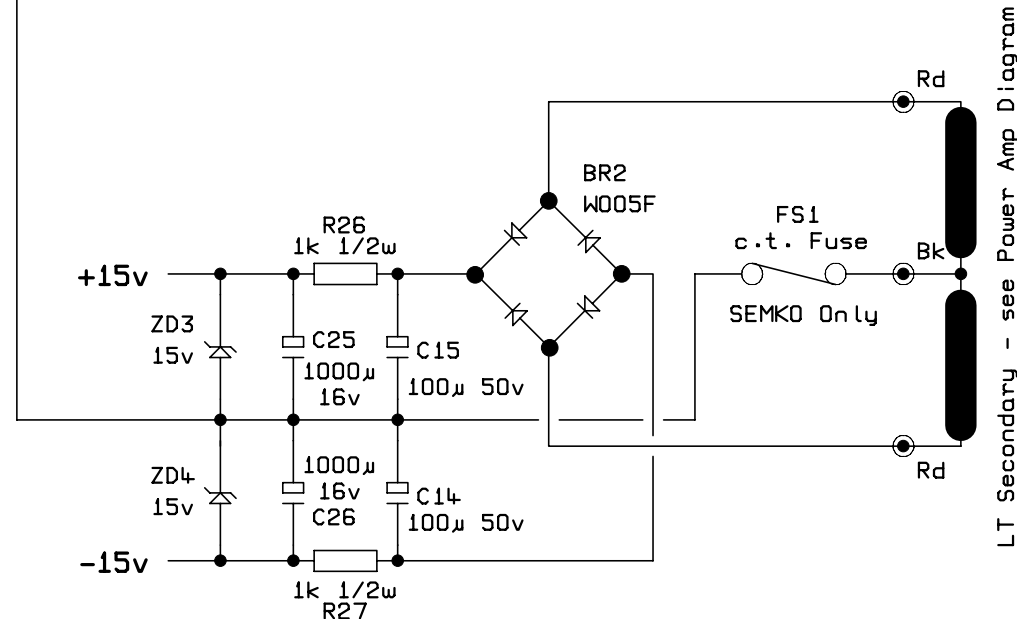
\* 1N4007 + 2k7

VR1 Gain 0-10  
VR2 Gain 10-20

Presence cap  
(on Preamp Version only)  
0.22µ



Components on PA PCB - connected via Twin Scnd. TS1



LT Secondary - see Power Amp Diagram

**NOTES:**

1. All resistors 1/4w unless stated.
2. PCB: JMP51A ONLY
3. Power supply and power amp diagram: CDO112 50w  
CDO192 100w
4. All non-elect. caps are 50v axial unless marked:  
D: Ceramic disk  
R: MKT Radial
5. All zeners 500mW.
6. C1,5,7,24 not fitted.  
C11 only fitted on rack preamp versions.
7. \* indicates mods to PCB.
8. V1,2: ECC83.
9. M5201 switching IC pins:
10. IC1 supply:  
Pin 8: +15v  
Pin 4: -15v

4	4-1-90	CPV
3	22-12-89	CPV
2	22-11-89	CPV
1	13-11-89	CPV
Iss. Date		Drn.

Dwg. Number: CDO109  
**JCM900 Series**  
 MASTER VOLUME Preamp  
 Circuit Diagram  
 ALL COUNTRIES

**Marshall**  
 Jim Marshall  
 (Products) Ltd.  
 BLETCHLEY  
 MILTON KEYNES  
 ENGLAND  
 File: 900MPRE.DGM