

NOTES:

1. D1-5: 1N4007.
2. PCB: JMP50C onwards
3. Effects loop components shown on preamp cct. diag.
4. Output impedance select can be wired for either 8 & 16Ω (normal) or 4 & 8Ω.
5. Components not fitted:
Resistors: R8,20,23,24, 27,33,36
Others: FS1, LED1
6. V3: ECC83
V4,5: EL34
7. All resistors are 1/4w unless stated otherwise.

Iss.7: JMP50C PCB

10	ECO 014-7 10/03/92	CJR
9	ECO 0126 12/12/91	CJR
8	18-9-90	SKB
7	4-9-90	CPV
6	16-5-90	CPV
5	26-2-90	CPV

Iss. Date Drn.

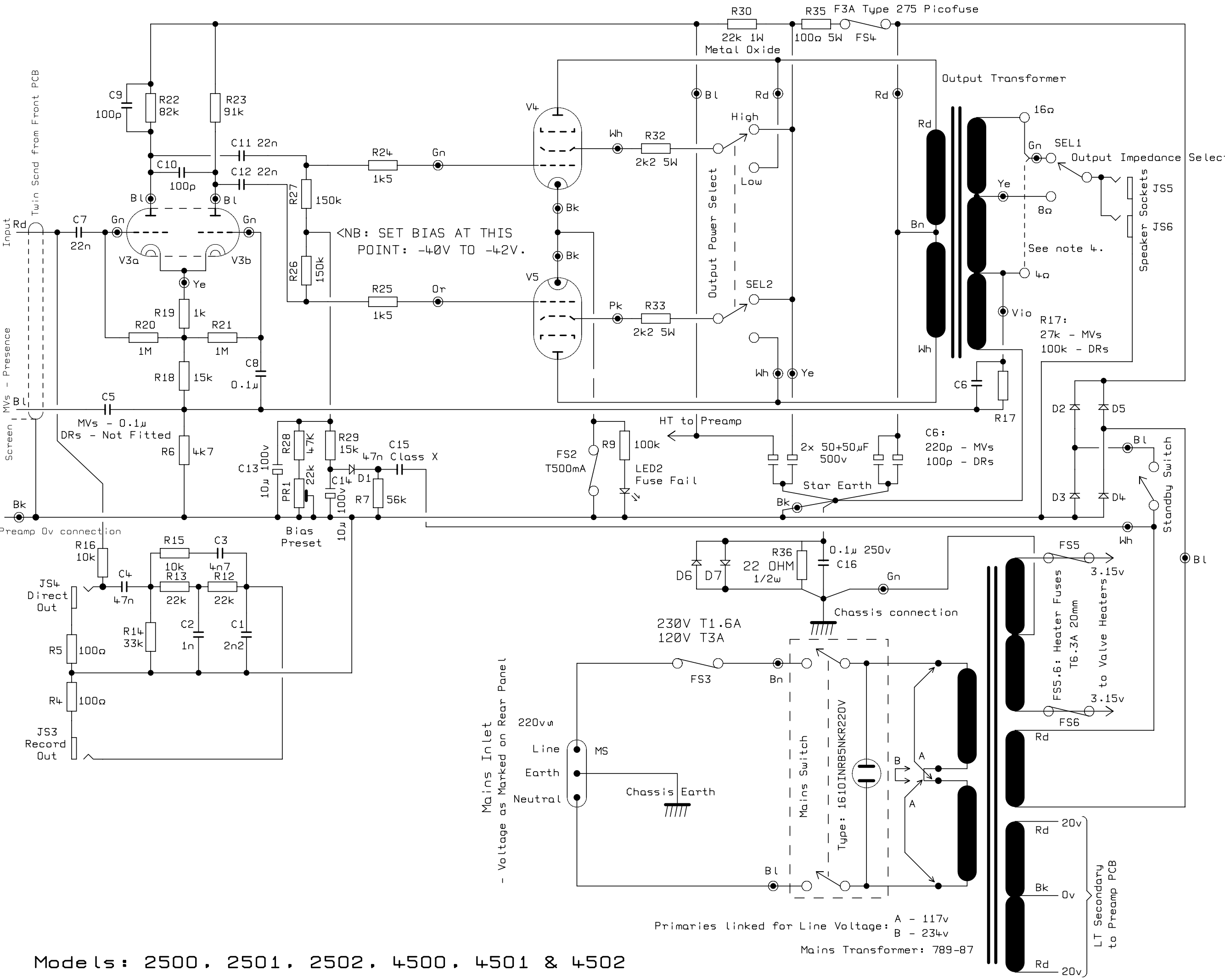
Dwg. Number: CD0112

JCM900 Series
50w Power Amp
Circuit Diagram
ALL COUNTRIES EXCEPT
SEMI AND CSA

Marshall

Jim Marshall
(Products) Ltd.
BLETCHLEY
MILTON KEYNES
ENGLAND

File: JMP50C1.DGM



Models: 2500, 2501, 2502, 4500, 4501 & 4502

Primaries linked for Line Voltage: A - 117v
B - 234v
Mains Transformer: 789-87