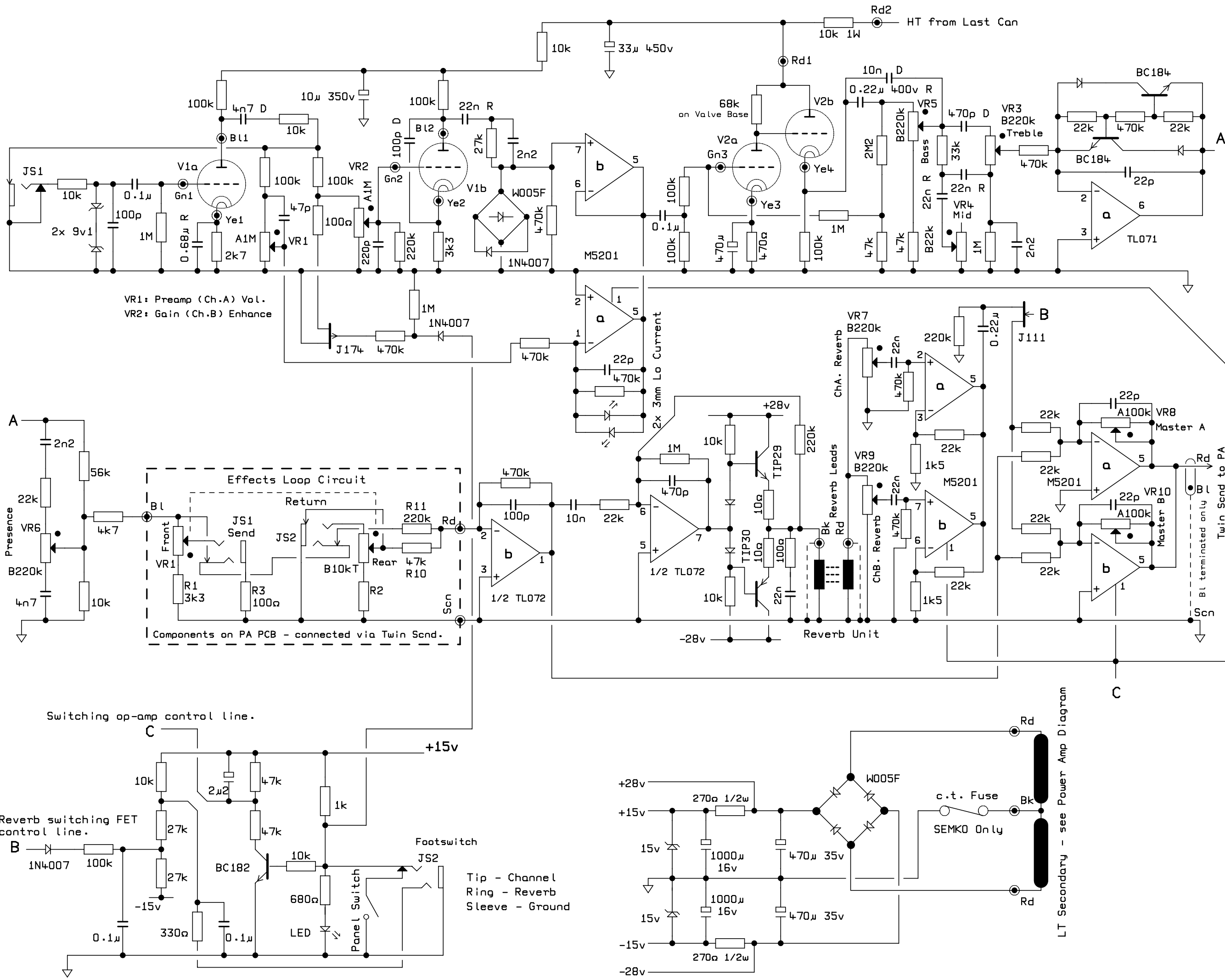
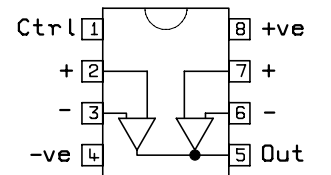
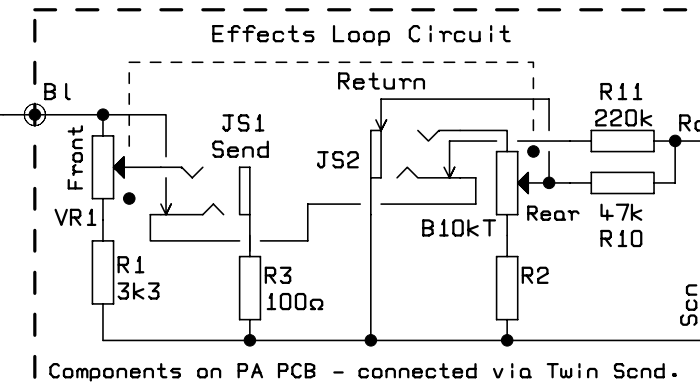


NOTES:

1. All resistors 1/4w unless stated.
2. PCB: JMP52A
3. Power amp diagrams:
CD0112 50w
CD0192 100w
4. All non-elect. caps are 50v axial unless marked:
D: Ceramic disk } High voltage
R: MKT Radial }
5. All zeners 500mW.
6. All unmarked diodes are 1N914 or 1N4148.
7. IC supplies:
All ICs but TL071, pin 8: +15v
TL071, pin 7: +15v
All ICs, pin 4: -15v
8. M5201 switching IC pins:

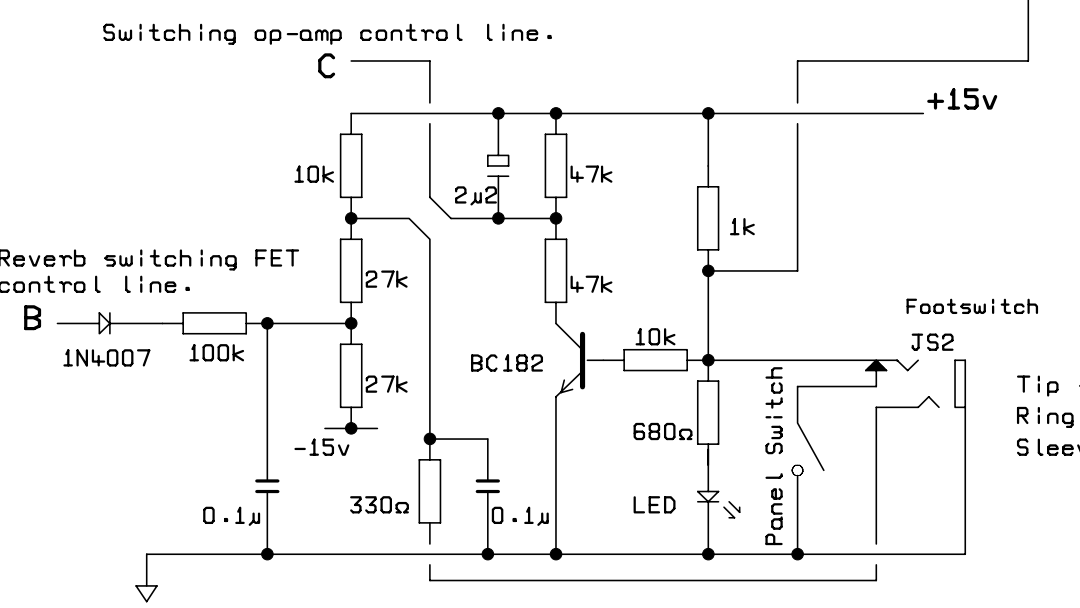


VR1: Preamp (Ch.A) Vol.
VR2: Gain (Ch.B) Enhance

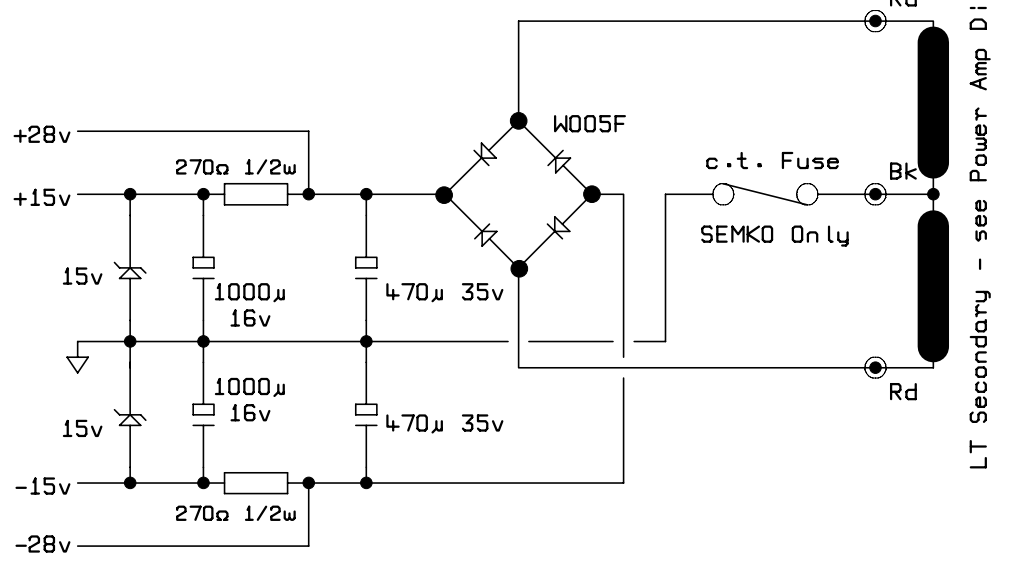


Components on PA PCB - connected via Twin Scnd.

Reverb Unit



Tip - Channel
Ring - Reverb
Sleeve - Ground



LT Secondary - see Power Amp Diagram

1	6-12-89	CPV
Iss. Date		Drn.

Dwg. Number: CD0189
JCM900 Series
DUAL REVERB Preamp
Circuit Diagram
ALL COUNTRIES

Marshall
Jim Marshall
(Products) Ltd.
BLETCHLEY
MILTON KEYNES
ENGLAND
File: 900DRPRE.DGM