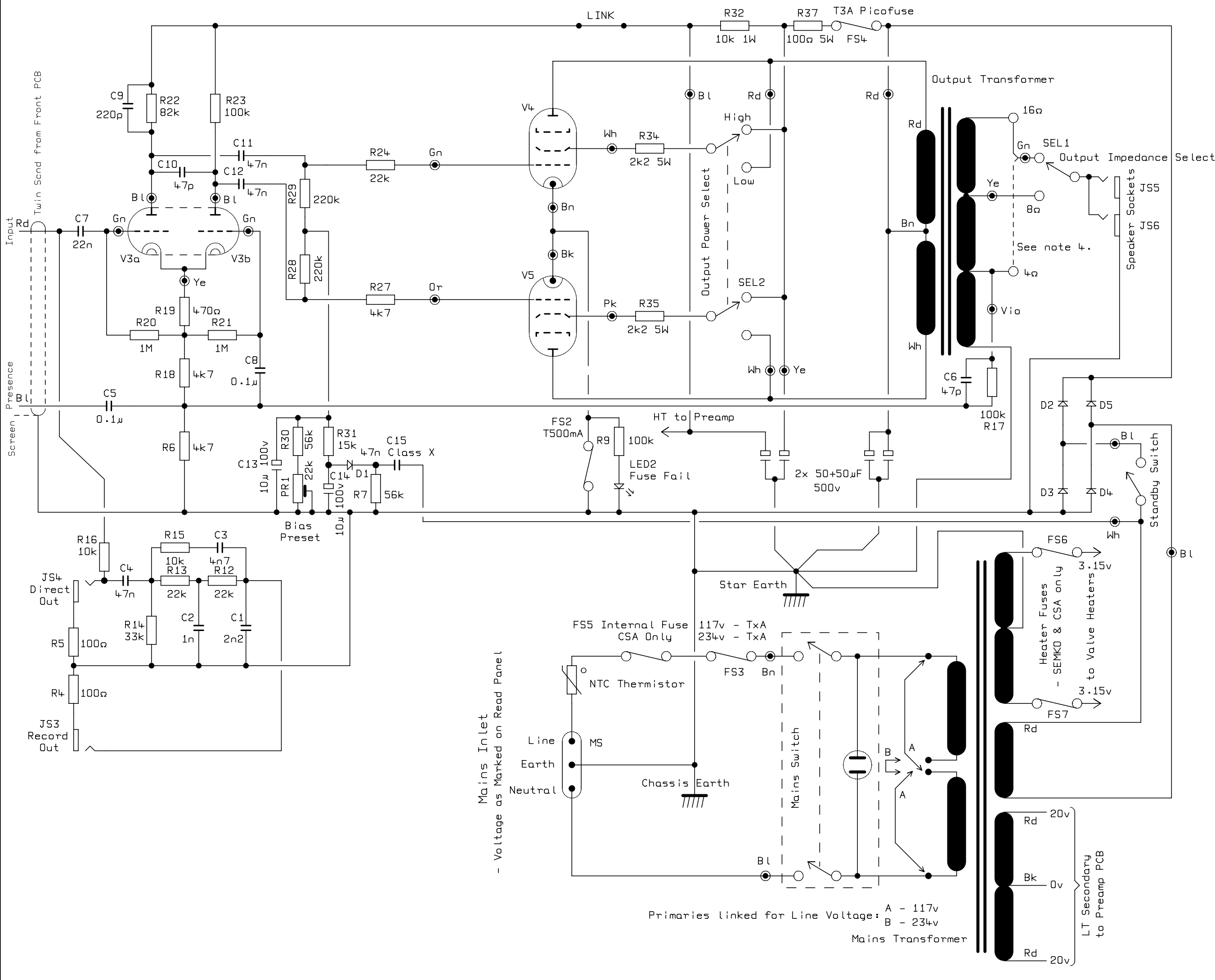


NOTES:

1. D1-5: 1N4007.
2. PCB: JMP50A
3. Effects loop components shown on preamp cct. diag.
4. Output impedance select can be wired for either 8 & 16Ω (normal) or 4 & 8Ω.
5. Components not fitted:
Resistors: R8,20,23,24,27,33,36
Others: FS1, LED1



1	31-10-89	CPV
Iss. Date		Drn.

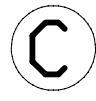
Dwg. Number: CD0192

JCM900 Series
50w Power Amp
Circuit Diagram
ALL COUNTRIES

Marshall

Jim Marshall
(Products) Ltd.
BLETCHLEY
MILTON KEYNES
ENGLAND

File: 900-50.DGM



- Voltage as Marked on Read Panel

Primaries linked for Line Voltage: A - 117v
B - 234v
Mains Transformer

LT Secondary to Preamp PCB