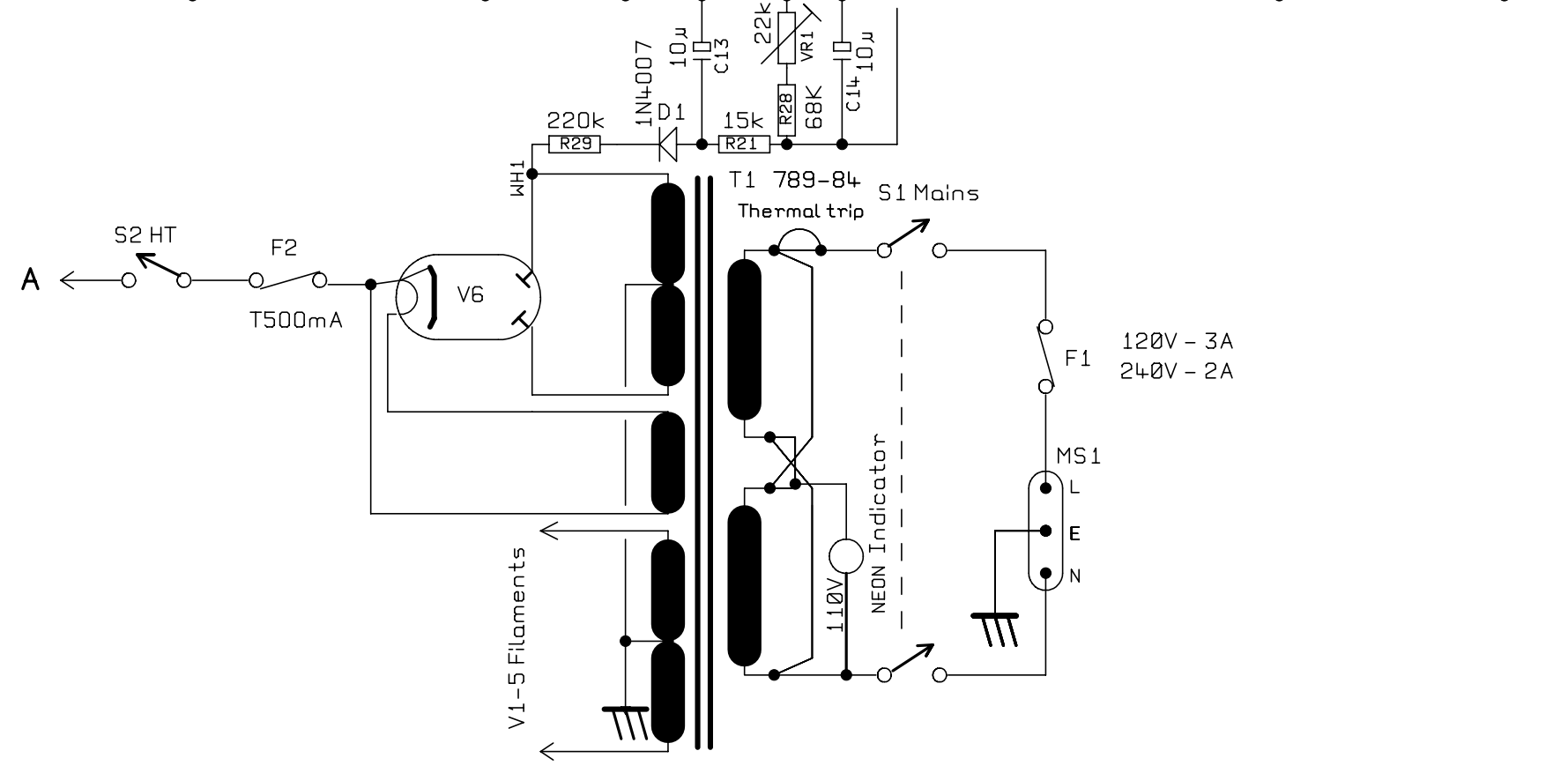
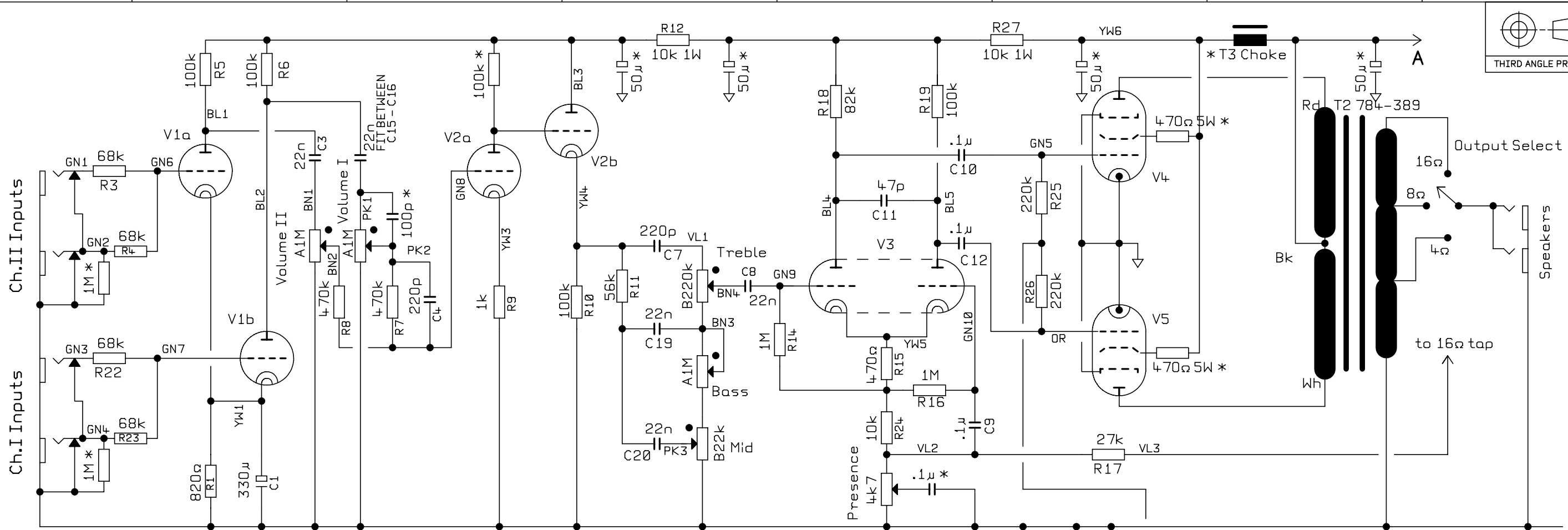


DWG.No. JTM45.DGM



NOTES:

- 1) V1-3: ECC83
- 2) V4,5: 5881
- 3) V6: GZ34 Rectifier
- 4) Components marked * are off PCB
- 5) YW4 DENOTES WIRE COMING OF THE P.C.B

7	0679	09/8/94	UNSPECIFIED HOLE DATA			MATERIAL		DIMENSIONS IN		<p>COPYRIGHT EXISTS ON THIS DOCUMENT. IT MUST NOT BE USED FOR ANY PURPOSE THAN THAT FOR WHICH IT IS SUPPLIED AND MUST NOT BE COPIED (IN WHOLE OR IN PART) WITHOUT WRITTEN PERMISSION FROM © MARSHALL AMPLIFICATION PLC DENBIGH ROAD, BLETCHLEY, MILTON KEYNES, MK1 1DQ. TEL: (0908)375411 FAX: (0908)376118</p>	TITLE	
6	0405	29/10/93	A			MATERIAL THICKNESS		TOLERANCE (UNLESS OTHERWISE STATED)			CIRCUIT DIAGRAM	
5	0398	12/8/93	B			INTERNAL BEND RADIUS		DIMENSIONAL			DWG.No	
4	CJR (0102)	13/11/91	C			EXTERNAL B/A		CENTRES			JTM45.DGM	
3	CPV	7-4-89	D			BEND DIE		ANGULAR			ISSUE	
2	SKB	28-3-89	E			DRAWN CPV DATE 9/12/88		MODEL			7	
1	CPV	9-12-88	F			CHECKED DATE		JTM45 Re issue				
ISS	ECO NUMBER	DATE	G			APPROVED DATE						

