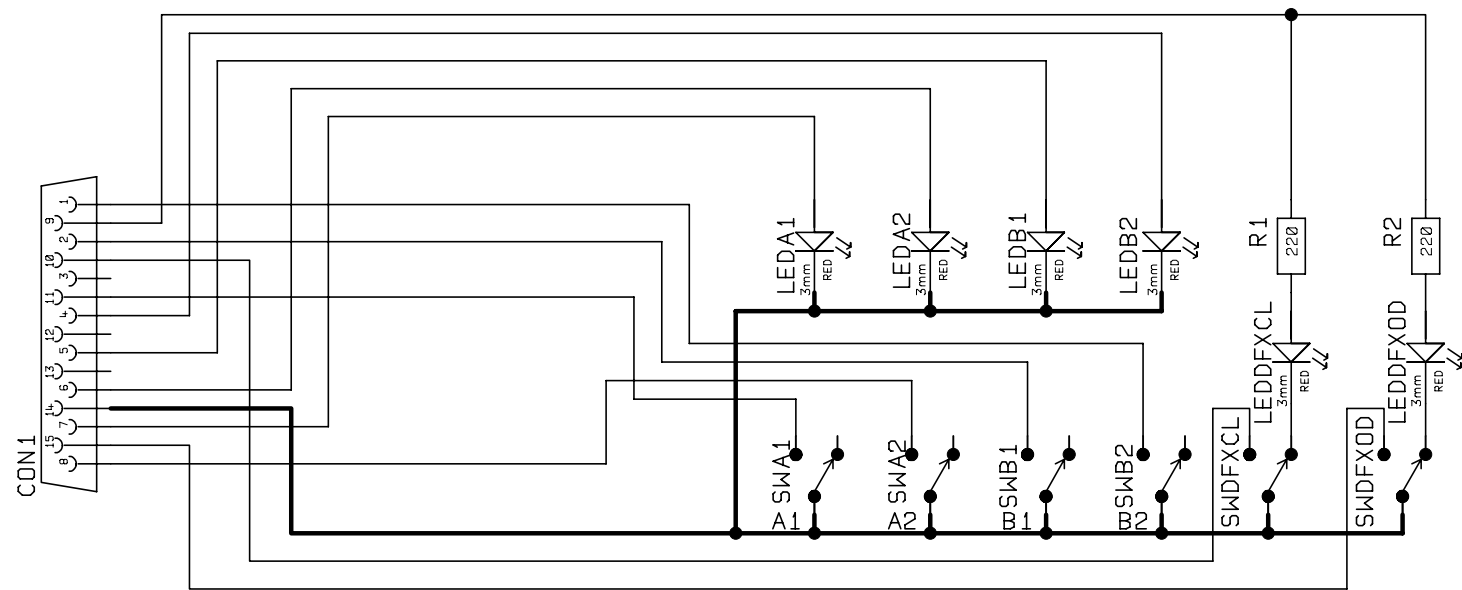



DWG.No. DEN100FS.DGM



A1 = ACOUSTIC SIMULATOR
 A2 = CLEAN
 B1 = OD1
 B2 = OD2
 SWDFXCL = CLEAN DFX ON/OFF
 SWDFXOD = OD DFX ON/OFF

NOTES:-

- 1- GOOD CONTACT REQUIRED BETWEEN 15 PIN 'D' CASE & PEDAL CHASSIS.
- 2- SWITCHES A1, A2, B1, B2 TO BE MOMENTARY
- 3- SWITCHES SWDFXCL, SWDFXOD TO BE LATCHING
- 4- LEDS TO BE LOW CURRENT

2		UPDATED FOR D-TYPE		7/12/99		C		L		Q		CHECKED		DATE		MODEL		 © MARSHALL AMPLIFICATION PLC DENBIGH ROAD, BLETCHLEY, MILTON KEYNES, MK1 1DQ. TEL (01908) 375411 FAX (01908) 376118		TITLE		AVT100/150/275		FOOTSWITCH SCHEMATIC	
ISS		ECO NUMBER		DATE		D		M		R		APPROVED		DATE		DWG.No				DEN100FS.DGM		ISS 2			