

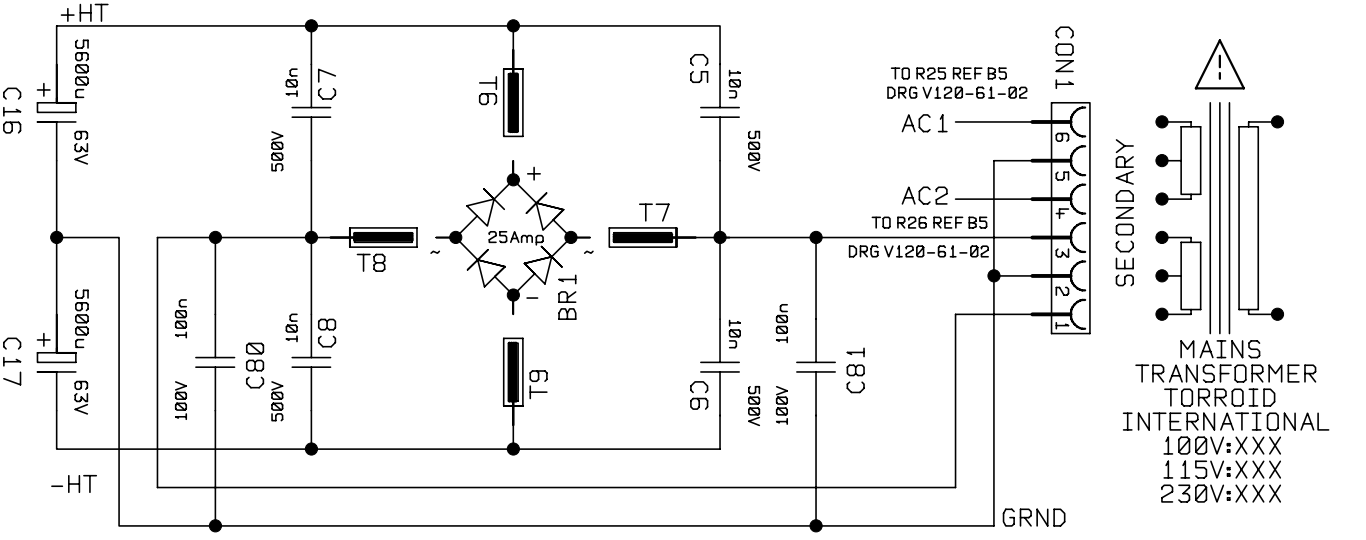
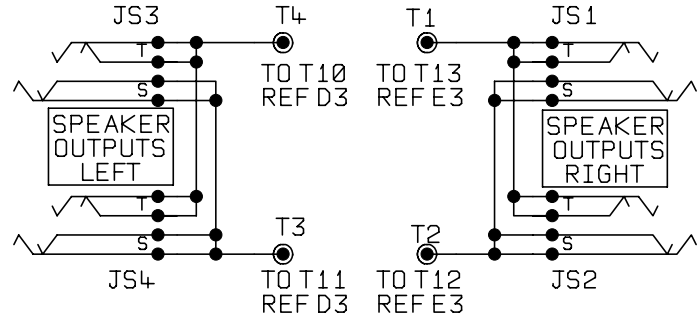
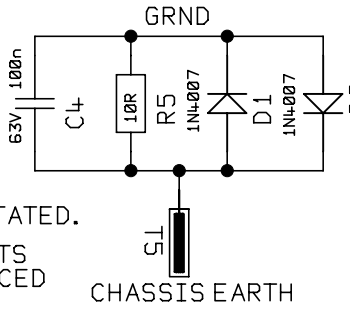
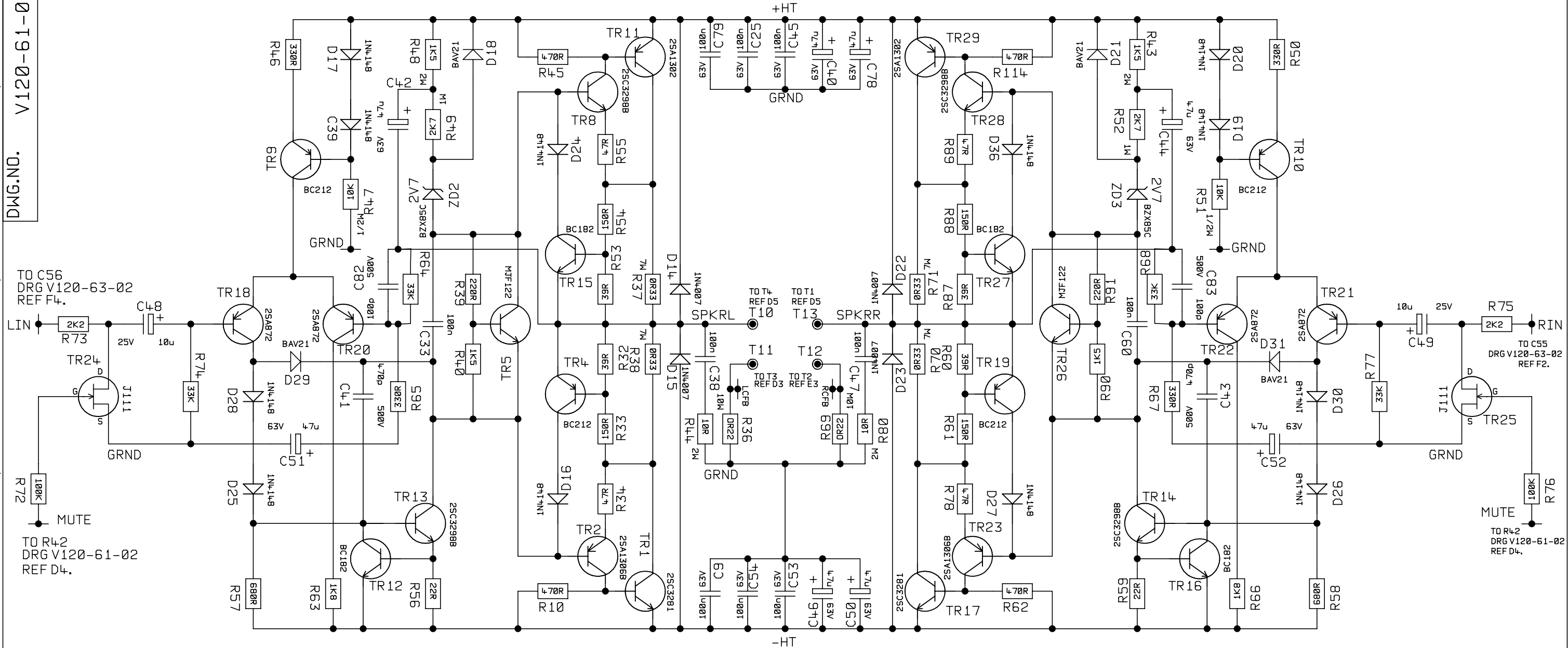
DWG.NO. V120-61-02

TO C56
DRG V120-63-02
REF F4.

TO R42
DRG V120-61-02
REF D4.

TO C55
DRG V120-63-02
REF F2.

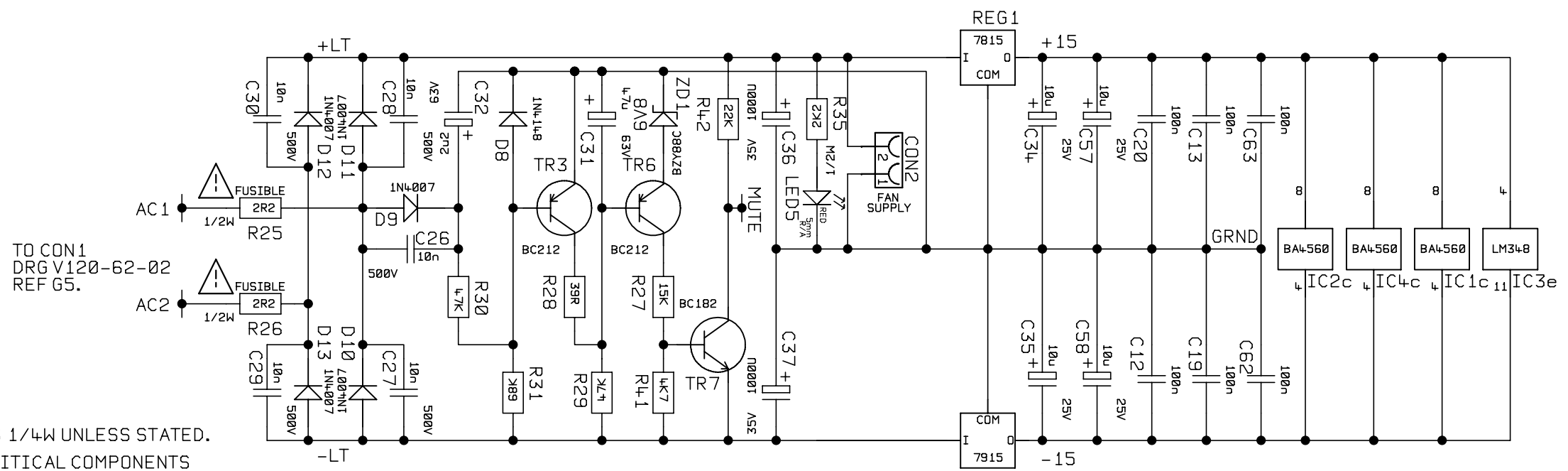
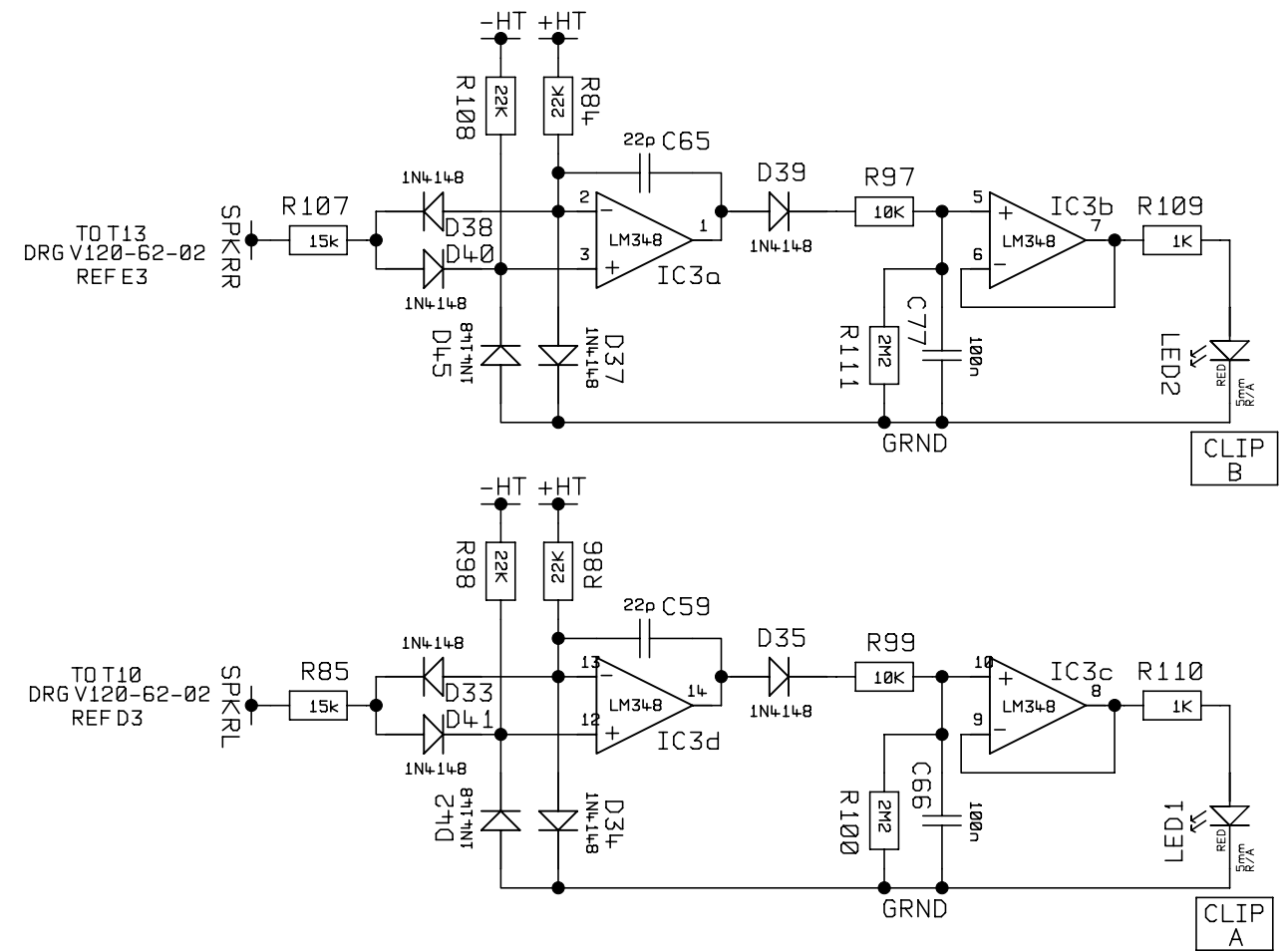
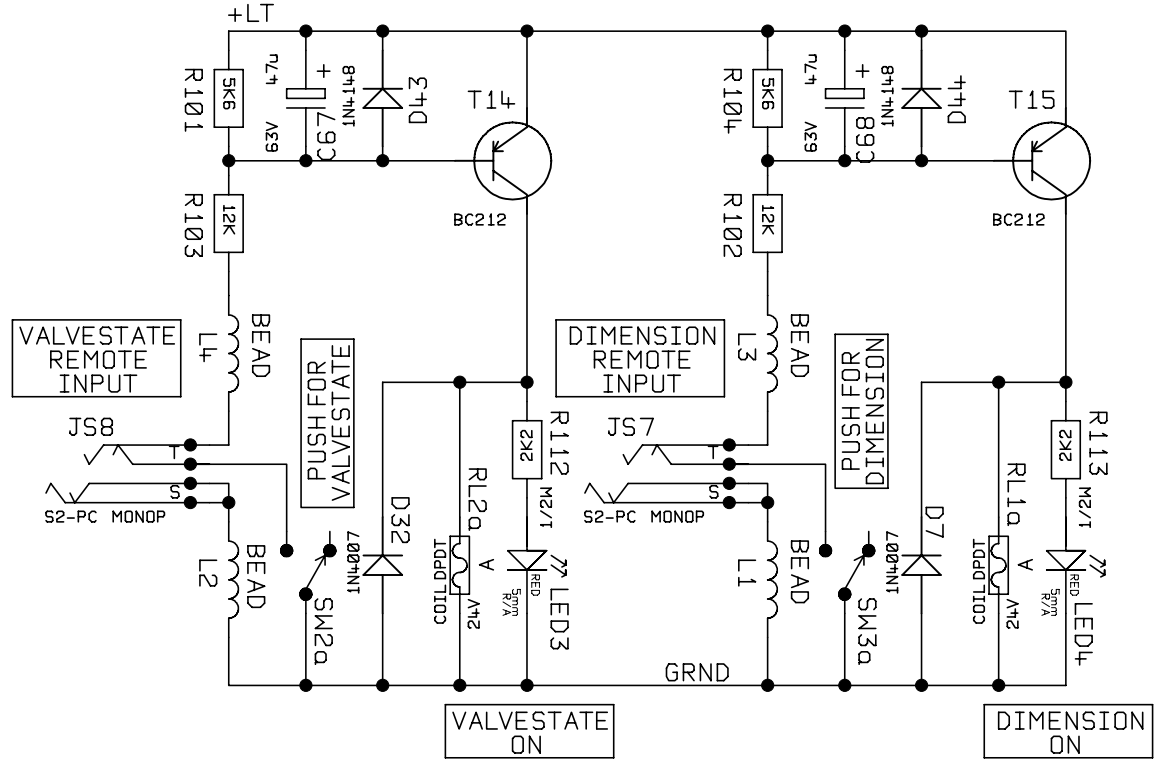
TO R42
DRG V120-61-02
REF D4.



- NOTES:-
- 1) ALL RESISTORS 1/4W UNLESS STATED.
 - 2) SAFETY CRITICAL COMPONENTS MUST BE REPLACED WITH THE SAME TYPE AND RATING ONLY.
 - 3) TO R42 REF D4 = TO RESISTOR R42 GRID REFERENCE D4.

ALL OTHER HOLES =				X = (THROUGH PLATED)				MATERIAL	DIMENSIONS IN		TITLE POWER AMPLIFIERS	SHT 1 OF 3								
A	B	C	D	E	F	G	H	J	K	L			M	N	P	Q	R	MATERIAL THICKNESS	TOLERANCE (UNLESS OTHERWISE STATED)	<p>© JIM MARSHALL (PRODUCTS) LTD. DENBIGH ROAD, BLETCHLEY, MILTON KEYNES, MK1 1DD. TEL (0908)375411 FAX (0908)376118</p>
ISS	ECO NUMBER	DATE	D													B.KEIR	DATE 18.11.96	MODEL 120/120		

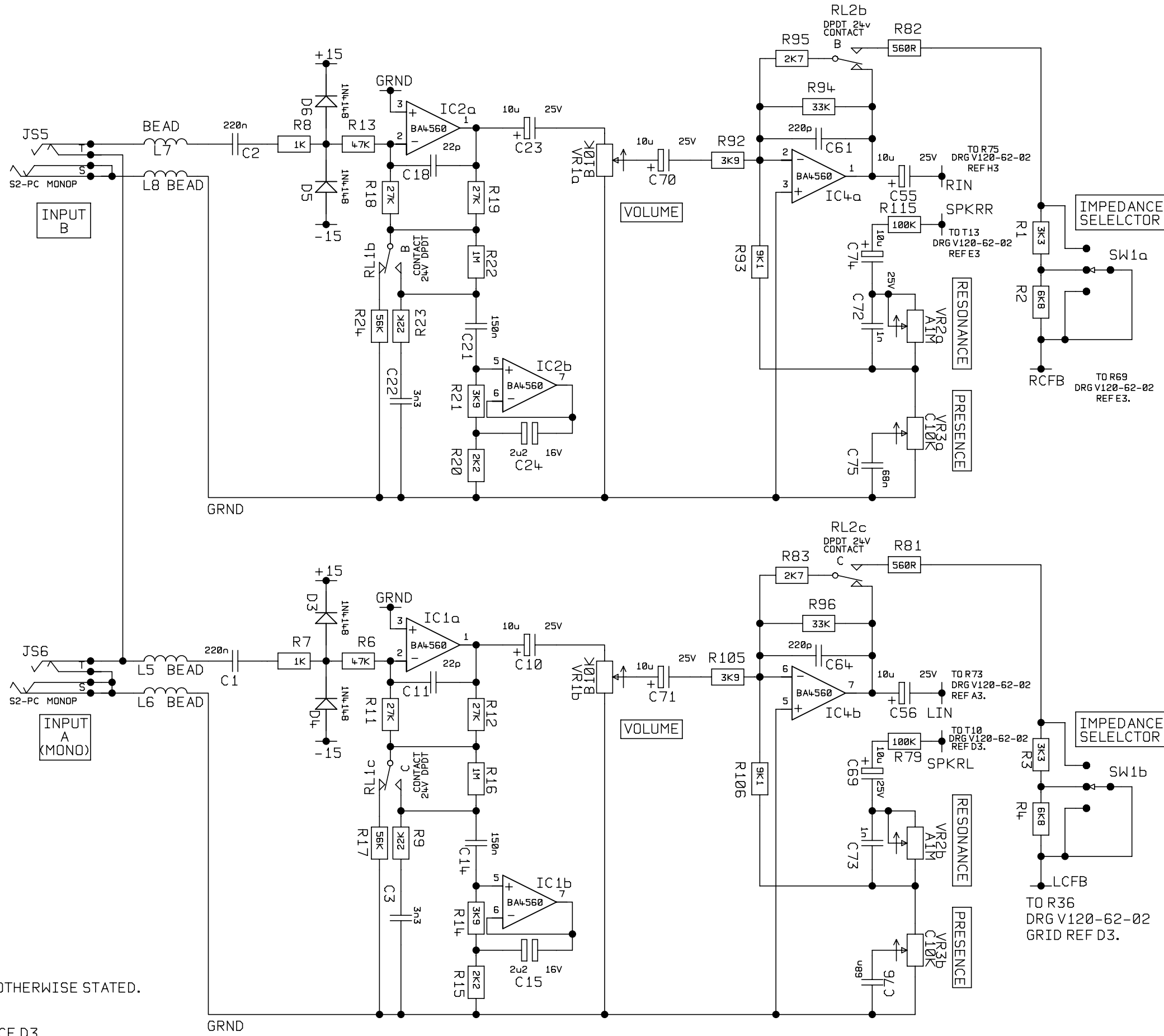
DWG.NO. V120-61-02



- NOTES:-**
- 1) ALL RESISTORS 1/4W UNLESS STATED.
 - 2) SAFETY CRITICAL COMPONENTS MUST BE REPLACED WITH THE SAME TYPE AND RATING ONLY.
 - 3) TO CON1 REF G5:-
TO CONNECTOR 1 GRID REF G5.

ISS		ECO NUMBER	DATE	ALL OTHER HOLES =		X = (THROUGH PLATED)		MATERIAL	MATERIAL THICKNESS	DIMENSIONS IN	<p>© JIM MARSHALL (PRODUCTS) LTD. DENBIGH ROAD, BLETCHLEY, MILTON KEYNES, MK1 1DQ. TEL. (0908)375411 FAX (0908)376118</p>	TITLE	REGULATORS, MUTING PEAK AND REMOTE
A	B	C	D	E	F	G	H	J	K	L		REG1	ISS
								N	P	Q		REG2	2
								R				120/120	

DRG NO. V120-61-02



NOTES:-
 1) ALL RESISTORS 1/4W UNLESS OTHERWISE STATED.
 2) TO R36 GRID REF D3:-
 TO RESISTOR R36 GRID REFERENCE D3.

ISS		ECO NUMBER	DATE	ALL OTHER HOLES =		X = (THROUGH PLATED)		MATERIAL		DIMENSIONS IN		<p>© JIM MARSHALL (PRODUCTS) LTD. DENBIGH ROAD, BLETCHLEY, MILTON KEYNES, MK1 1DQ. TEL (0908)375411 FAX (0908)376118</p>	TITLE	SHT 3 OF 3							
A	B	C	D	E	F	G	H	J	K	L	M		N	P	Q	R	MATERIAL THICKNESS DRAWN B.KEIR DATE 13.03.97 CHECKED DATE APPROVED DATE	TOLERANCE (UNLESS OTHERWISE STATED)	MODEL	120/120	INPUT STAGES
													DWG.No	V120-61-02	ISS	2					