
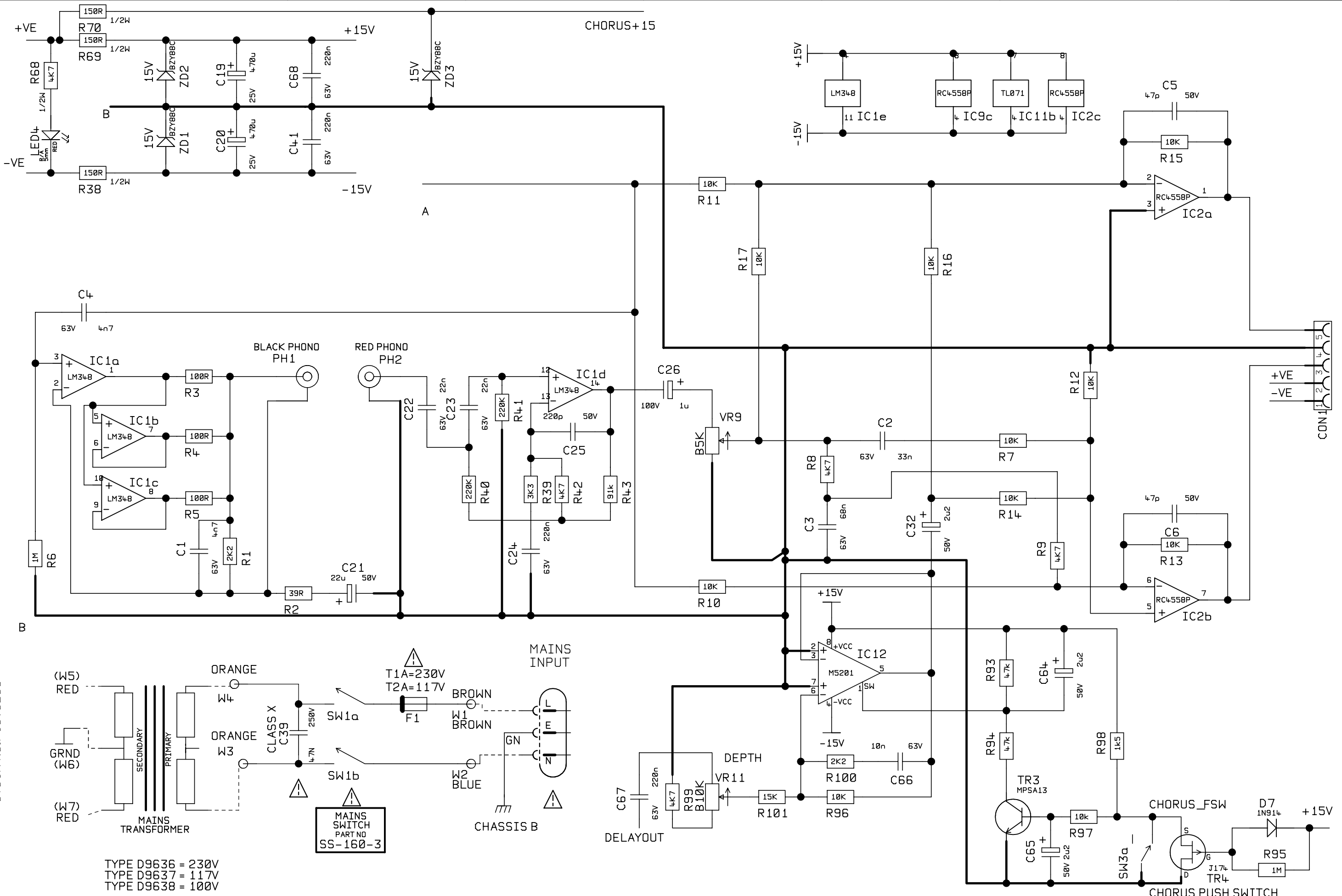


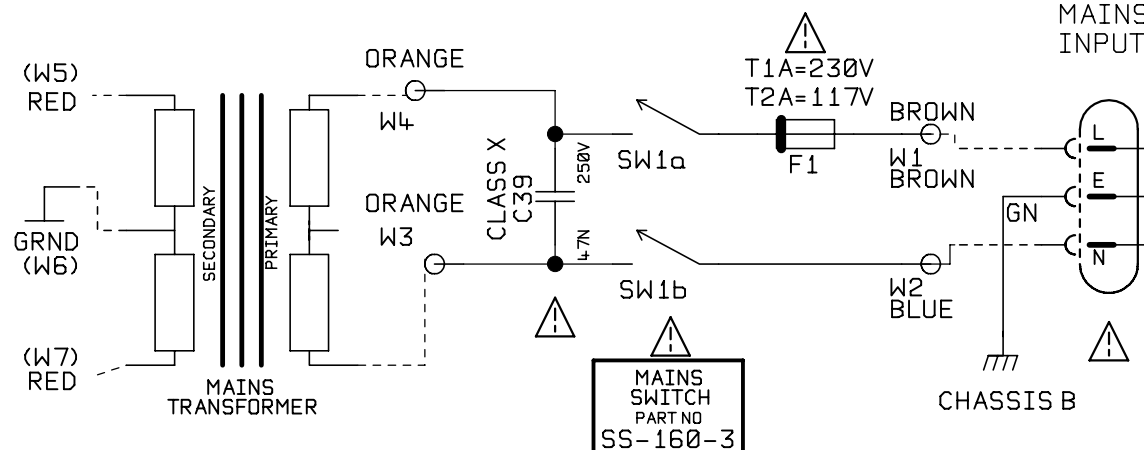
DWG.No. V230-60-02

3	1257	28/8/96	ALL OTHER HOLES =				X = (THROUGH PLATED)				MATERIAL	DIMENSIONS IN		 © JIM MARSHALL (PRODUCTS) LTD. DENBIGH ROAD, BLETCHLEY, MILTON KEYNES, MK1 1DQ. TEL (0908)375411 FAX (0908)376118	TITLE	VS230R PREAMP PCB/2 DWG.No SHEET 1 OF 3 V2306002.DGM	ISS 3
2	1163	1/5/96	A	E	J	N	MATERIAL THICKNESS	TOLERANCE (UNLESS OTHERWISE STATED)		DATE	20 10 95	MODEL	VS230				
1	FIRST RELEASE		B	F	K	P	DRAWN	SG	DATE			APPROVED	DATE				
ISS	ECO NUMBER	DATE	C	G	L	Q	CHECKED		DATE								
			D	H	M	R	APPROVED		DATE								

DWG.No. V230-60-02



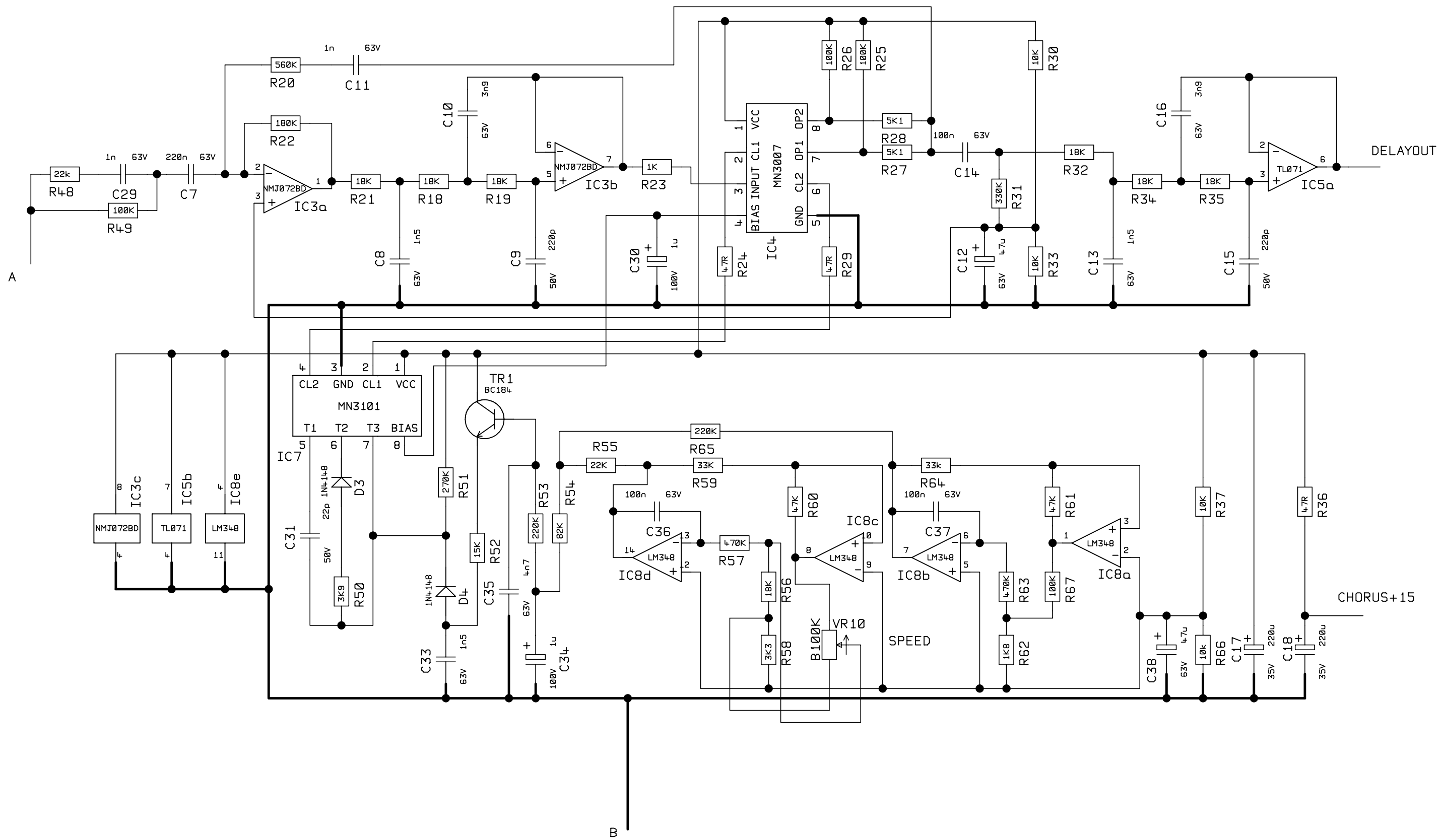
TO POWER AMP
STOCK No.PCOVS230



TYPE D9636 = 230V
TYPE D9637 = 117V
TYPE D9638 = 100V

3			1257			28/8/96			ALL OTHER HOLES =			X = (THROUGH PLATED)			MATERIAL			DIMENSIONS IN			<p>© MARSHALL AMPLIFICATION PLC DENBIGH ROAD, BLETCHLEY, MILTON KEYNES, MK1 1DQ. TEL (01908) 375411 FAX (01908) 376118</p>			TITLE			SHEET 2 OF 3 V2306002.DGM ISS 3		
2			1163			1/5/96			A			E			MATERIAL THICKNESS			TOLERANCE (UNLESS OTHERWISE STATED)											
1			FIRST RELEASE						B			F			DRAWN SG			DATE 20_10_95											
ISS			ECO NUMBER			DATE			C			G			CHECKED			DATE											
A			B			C			D			H			M			R			MODEL			VS230					

DWG.No. V230-60-02



3	1257	28/8/96
2	1163	1/5/96
1	FIRST RELEASE	
ISS	ECO NUMBER	DATE

ALL OTHER HOLES =		X = (THROUGH PLATED)	
A	E	J	N
B	F	K	P
C	G	L	Q
D	H	M	R

MATERIAL	
MATERIAL THICKNESS	
DRAWN SG	DATE 20_10_95
CHECKED	DATE
APPROVED	DATE

DIMENSIONS IN	
TOLERANCE (UNLESS OTHERWISE STATED)	
MODEL	VS230



TITLE	
VS230 CHORUS DELAY	
DWG.No	SHEET 3 OF 3
V2306002.DGM	
ISS	3