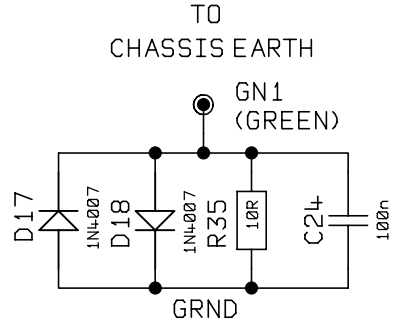
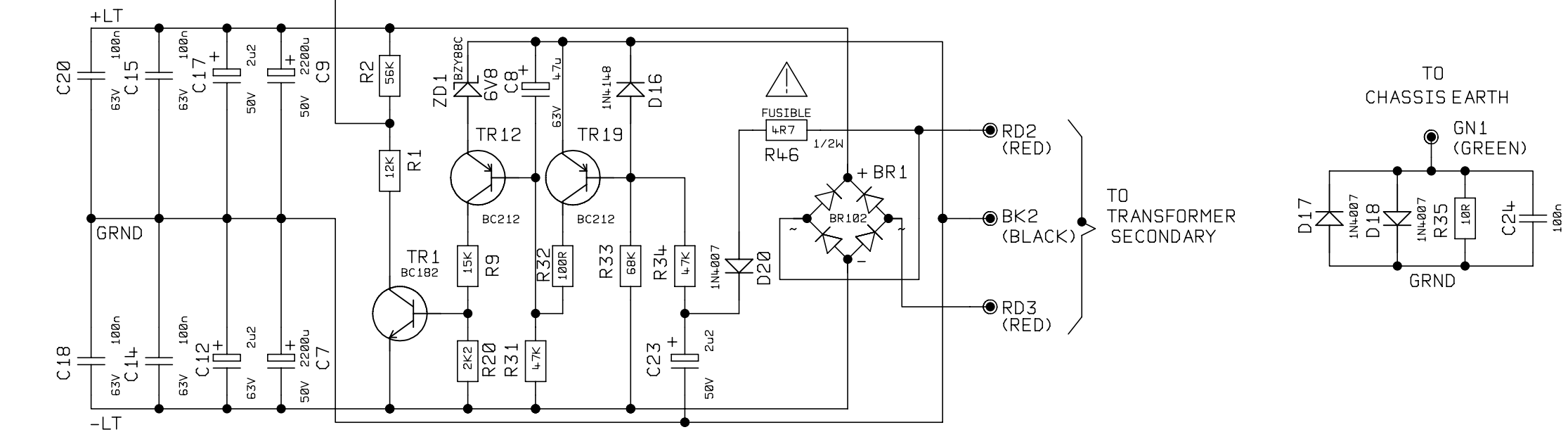
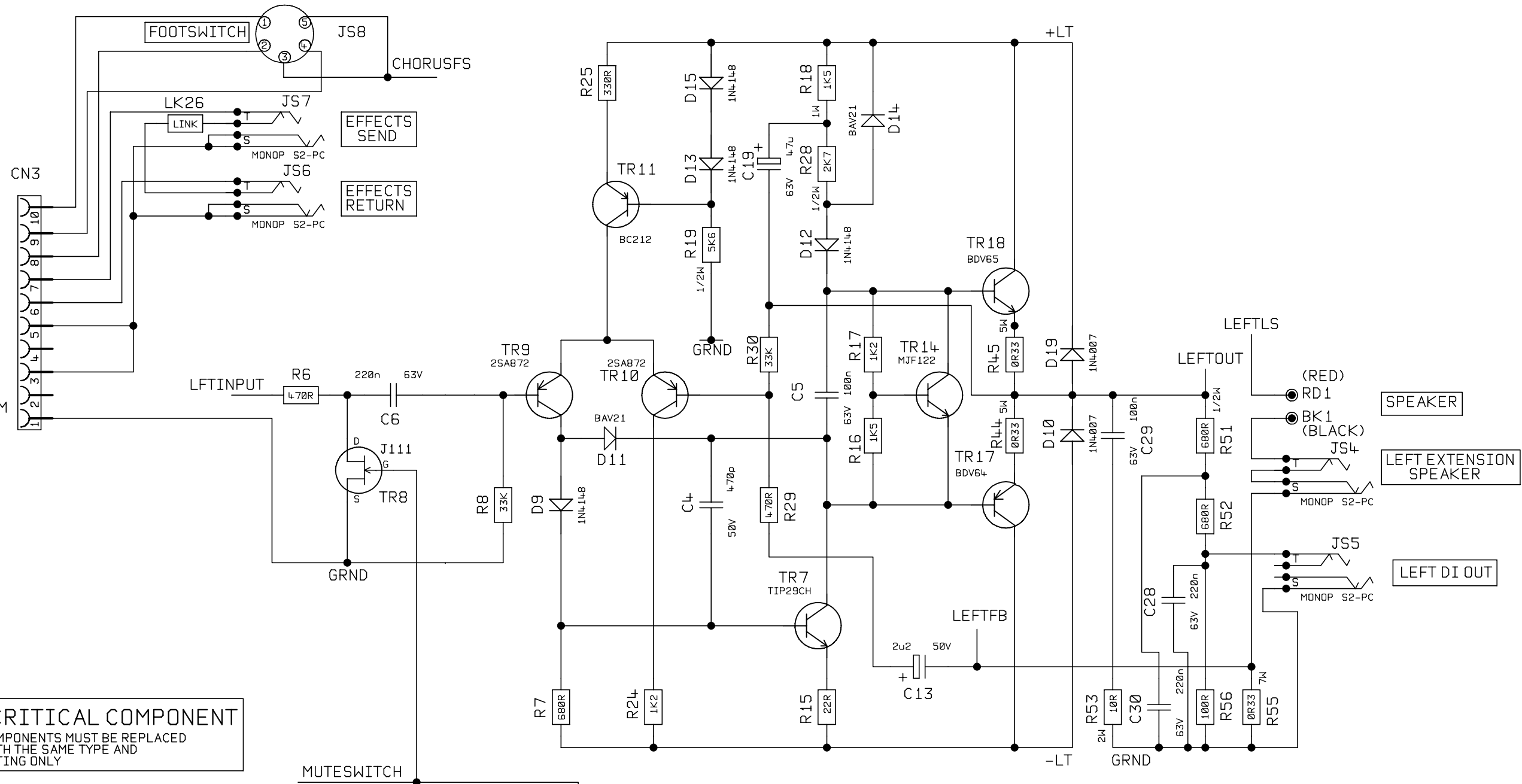


TO
 VS265 PRE-AMP
 CIRCUIT DIAGRAM
 V265-62-02

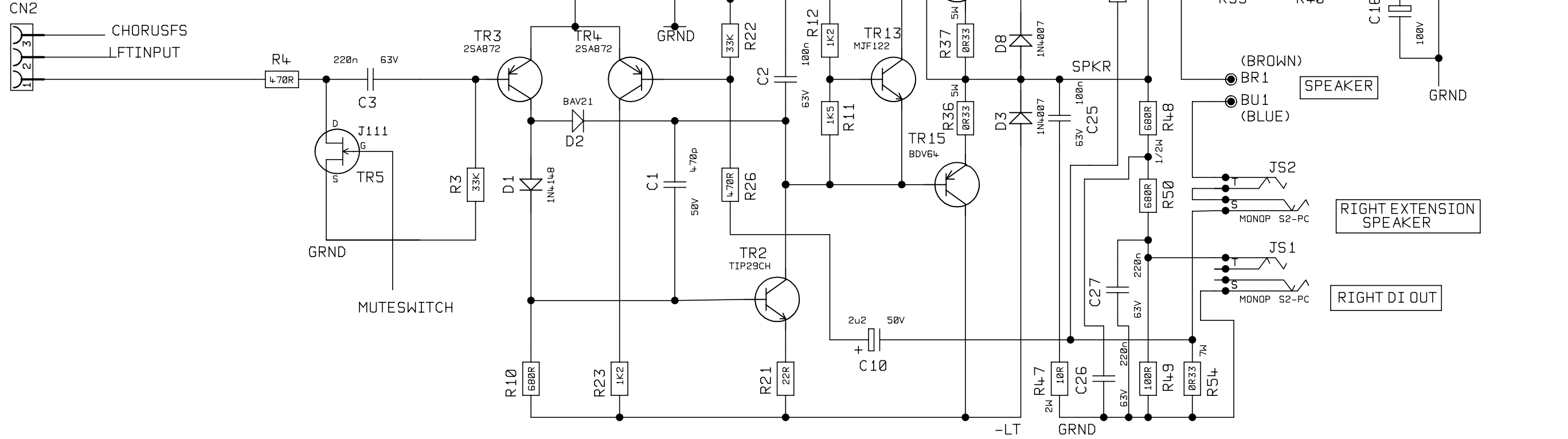
TO
 VS265 PRE-AMP
 CIRCUIT DIAGRAM
 V265-62-02

SAFETY CRITICAL COMPONENT
 COMPONENTS MUST BE REPLACED
 WITH THE SAME TYPE AND
 RATING ONLY



		ALL OTHER HOLES =		X = (THROUGH PLATED)		MATERIAL		DIMENSIONS IN		<p>JIM MARSHALL (PRODUCTS) LTD. DENBIGH ROAD, BLETCHLEY, MILTON KEYNES, MK1 1DQ. TEL (0908)375411 FAX (0908)376118</p>	TITLE POWER PCB CIRCUIT DIAGRAM	
2	1217	23/7/96	A	E	J	N	MATERIAL THICKNESS	TOLERANCE (UNLESS OTHERWISE STATED)			DWG.No	ISS
1		02-04-96	B	F	K	P	DRAWN SG	DATE 03.11.95			V265-60-02	2
ISS	ECO NUMBER	DATE	C	G	L	Q	CHECKED	DATE			SHEET 1 OF 2	
A	B	C	D	H	M	R	APPROVED	DATE		H		

TO
 VS265 DAUGHTER
 BOARD
 CIRCUIT DIAGRAM
 V265-61-02



		ALL OTHER HOLES =				X = (THROUGH PLATED)			
2	1217	23/7/96	A	E	J	N			
1		02-04-96	B	F	K	P			
ISS	ECO NUMBER	DATE	C	G	L	Q			
			D	H	M	R			

MATERIAL		DIMENSIONS IN	
MATERIAL THICKNESS		TOLERANCE (UNLESS OTHERWISE STATED)	
DRAWN SG	DATE 03.11.95		
CHECKED	DATE	MODEL	VS265
APPROVED	DATE		



TITLE		POWER PCB CIRCUIT DIAGRAM	
DWG.No	V265-60-02	SHEET 2 OF 2	ISS
			2