

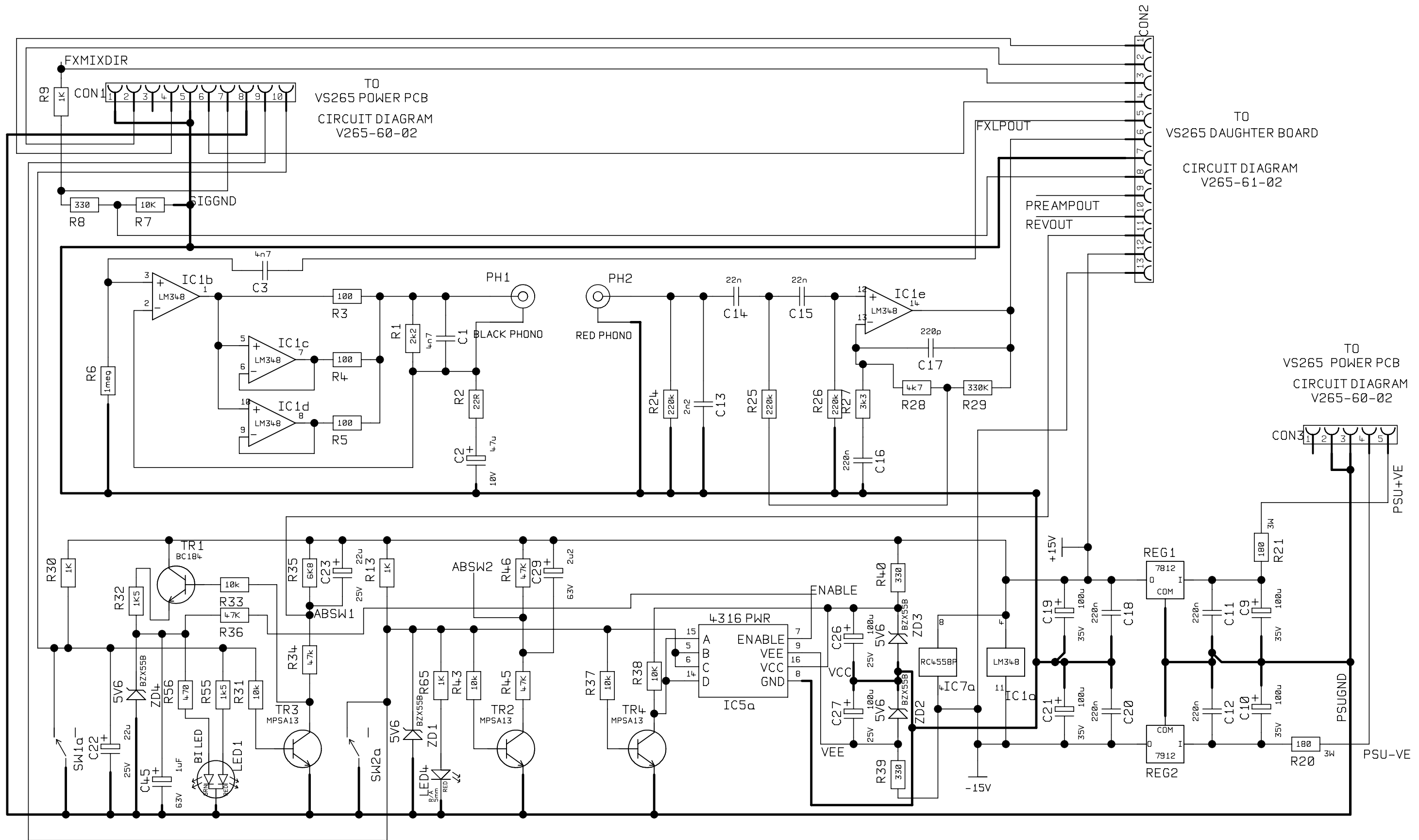
2	1167	24-04-96
1	02-04-96	
ISS	ECO NUMBER	DATE

ALL OTHER HOLES =		X = (THROUGH PLATED)	
A	E	J	N
B	F	K	P
C	G	L	Q
D	H	M	R

MATERIAL		DIMENSIONS IN	
MATERIAL THICKNESS		TOLERANCE (UNLESS OTHERWISE STATED)	
DRAWN SG	DATE 17_11_95	MODEL VS265	
CHECKED	DATE		
APPROVED	DATE		



TITLE PRE-AMP PCB CIRCUIT DIAGRAM	
DWG.No V265-62-02	SHEET 1 OF 2 ISS 2



TO
VS265 POWER PCB
CIRCUIT DIAGRAM
V265-60-02

TO
VS265 DAUGHTER BOARD
CIRCUIT DIAGRAM
V265-61-02

TO
VS265 POWER PCB
CIRCUIT DIAGRAM
V265-60-02

ALL OTHER HOLES = X = (THROUGH PLATED)

ISS	ECO NUMBER	DATE	A	B	C	D	E	F	G	H
2	1167	24-04-96	A	E	J	N				
1		02-04-96	B	F	K	P				
			C	G	L	Q				
			D	H	M	R				

MATERIAL		DIMENSIONS IN	
MATERIAL THICKNESS	DRAWN SG	TOLERANCE (UNLESS OTHERWISE STATED)	
CHECKED	DATE 17 11 95		
APPROVED	DATE	MODEL VS265	



TITLE	
PRE-AMP PCB	CIRCUIT DIAGRAM
DWG.No V265-62-02	SHEET 2 OF 2 ISS 2