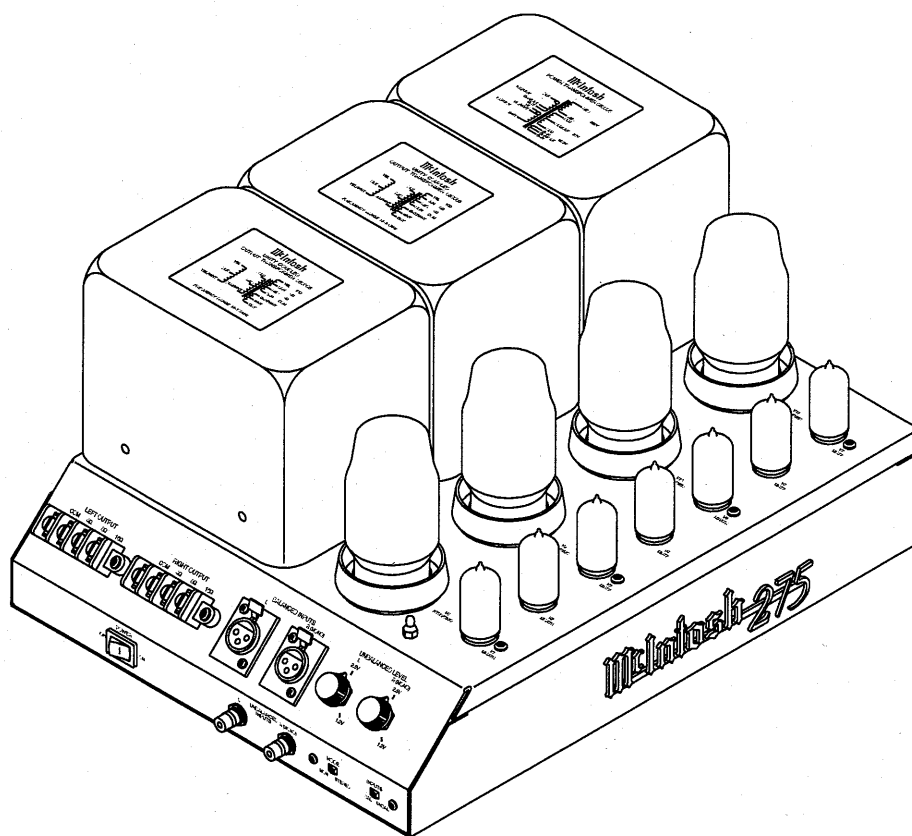




# MC275

## STEREO POWER AMPLIFIER

STARTING WITH SERIAL NO. VN1001



### CONTENTS

|                                  |       |                                    |         |
|----------------------------------|-------|------------------------------------|---------|
| Performance Specifications ..... | 2     | Amplifier Schematic and PCB .....  | 9 - 12  |
| Notes .....                      | 2     | Input Schematic and PCB .....      | 13 - 14 |
| Rear Panel .....                 | 3     | Parts List .....                   | 15 - 16 |
| Section Location .....           | 4     | Exploded View and Parts List ..... | 17 - 18 |
| Block Diagram .....              | 5     | Repacking Instructions .....       | 19      |
| Interconnection Diagram .....    | 7 - 8 |                                    |         |

# SERVICE MANUAL

# PERFORMANCE SPECIFICATIONS

## Power Output Stereo

Minimum sine wave continuous average power output per channel, both channels operating is:  
75 watts into 4, 8 or 16 ohm load

## Power Output Mono (Parallel)

Minimum sine wave continuous average power output is:  
150 watts into 2 ohm, 4 ohm or 8 ohm load

## Output Load Impedance

4, 8, or 16 ohm (Stereo Mode)  
2, 4, or 8 ohm (Mono Mode)

## Rated Power Band

20Hz to 20,000Hz

## Total Harmonic Distortion

Maximum Total Harmonic Distortion at any power level from 250 milliwatts to rated power output is 0.5%

## Intermodulation Distortion

Maximum Intermodulation Distortion if instantaneous peak output per channel does not exceed twice the rated output, for any combination of frequencies from 20Hz to 20,000Hz, with both channels operating is 0.5%

## A-Weighted Signal To Noise Ratio

100dB

## Frequency Response

+0, -0.5dB from 20Hz to 20,000Hz  
+0, -3dB from 10Hz to 70,000Hz

## Sensitivity

1.2 Volt unbalanced inputs  
2.5 Volt balanced inputs

## Wide Band Damping Factor

Greater than 14

## Input Impedance

100,000 ohms unbalanced  
200,000 balanced

## Tube Compliment

3 - 12AX7A Inputs and Phase Inverters  
4 - 12AT7 Voltage Amplifier and Drivers  
4 - KT88/6550 Power Output

## Power Requirements

100 Volts, 50/60Hz at 3.6 amps  
110 Volts, 50/60Hz at 3.6 amps  
120 Volts, 50/60Hz at 3.6 amps  
220 Volts, 50/60Hz at 1.8 amps  
230 Volts, 50/60Hz at 1.8 amps  
240 Volts, 50/60Hz at 1.8 amps

*Note: Refer to the right side panel of the MC275 for the correct voltage.*


## Overall Dimensions

Width is 16-1/2 inches (41.91cm), Height is 8-1/4 inches (20.96cm) including feet, Depth is 12 inches (30.48cm)

## Weight

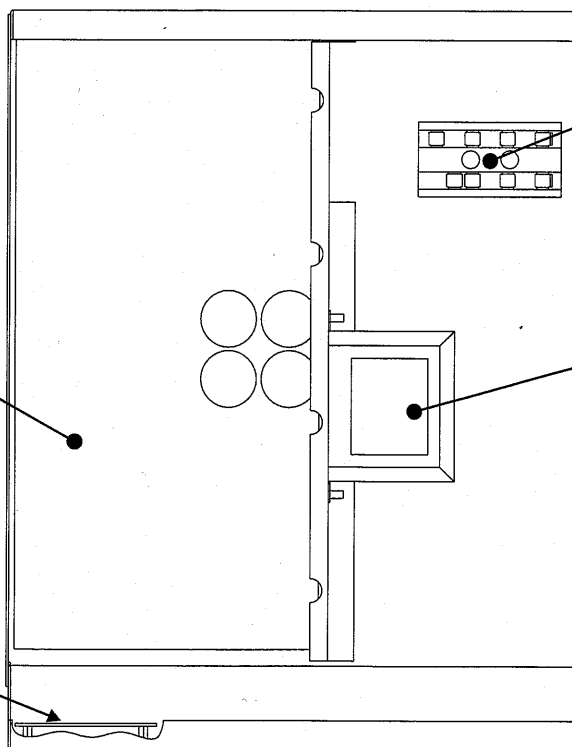
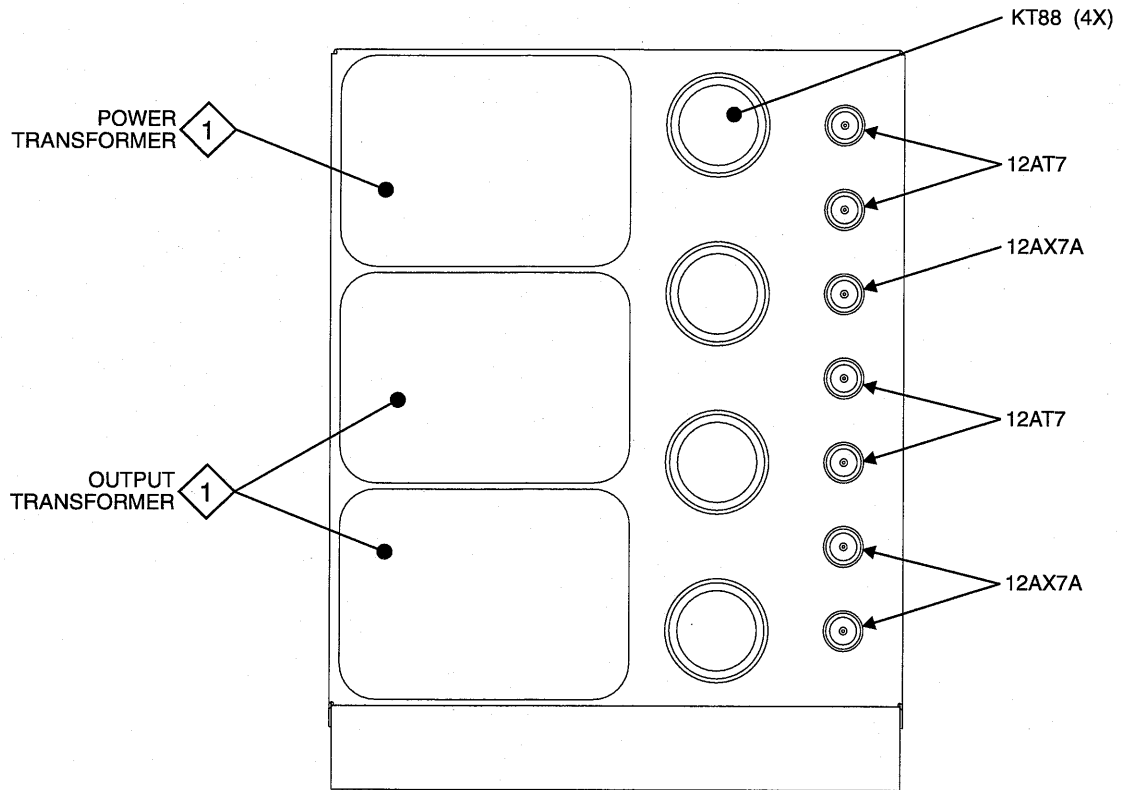
67 pounds (30.5kg) net, 75 pounds (34.1kg) in shipping carton

## NOTES

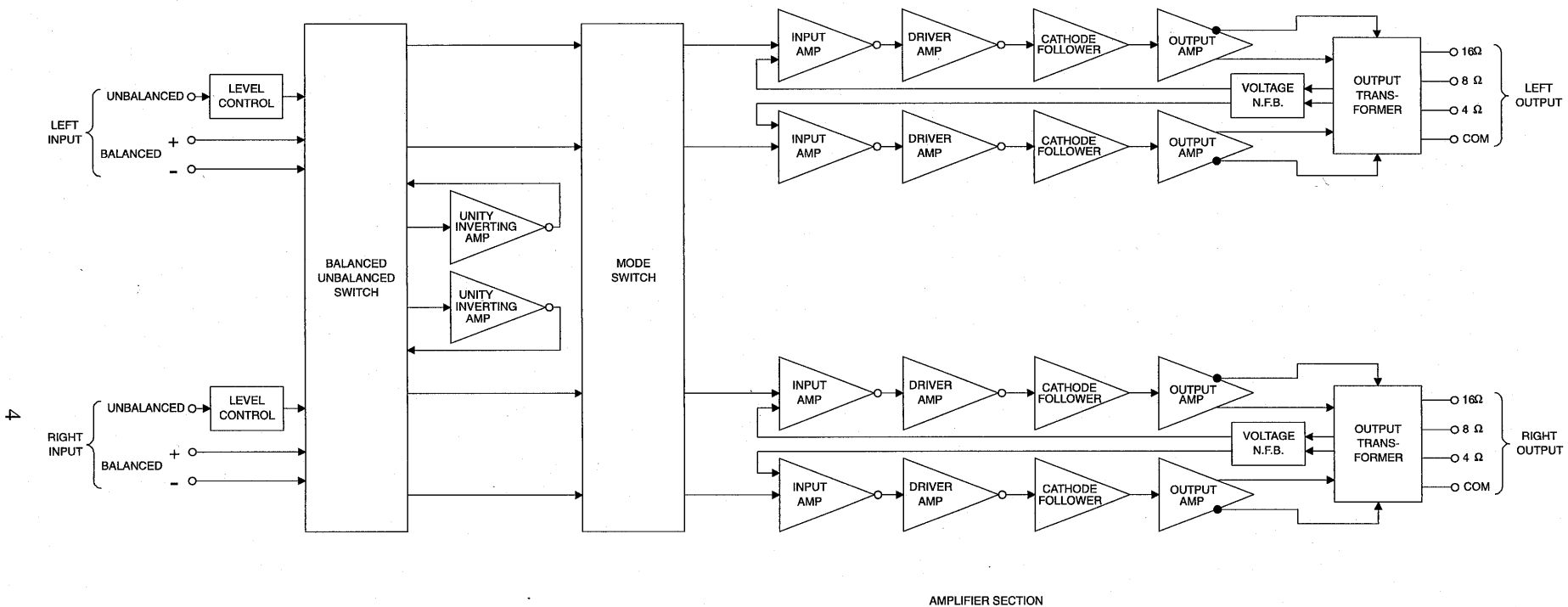
1. The heavy lines on the schematic denote the primary signal path.
2. Unless otherwise noted, all voltages indicated on the schematics are measured under the following conditions:
  - a. AC input at 120 volts, 50/60Hz.
  - b. All voltages are +/-10% with respect to ground. A high impedance (10 megaohm) voltmeter must be used.
3. Unless otherwise specified:
  - a. Resistor values are in ohms.
  - b. Capacitor values are microfarads (uF).
  - c. Inductor values are in microhenries (uH).
4. On PC board drawings, Square pad indicates:
  - a. Polarized Capacitors - Positive
  - b. Diodes - Cathode
  - c. Others - Pin 1
5. **WARNING**  
Parts marked with the symbol  have critical characteristics. Use only replacement parts recommended by the manufacturer.

# SECTION LOCATIONS

TOP VIEW WITH COVER REMOVED

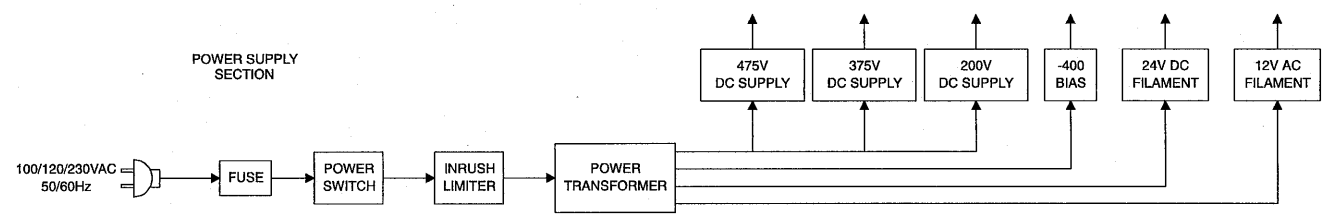


BOTTOM VIEW WITH COVER REMOVED



BLOCK DIAGRAM

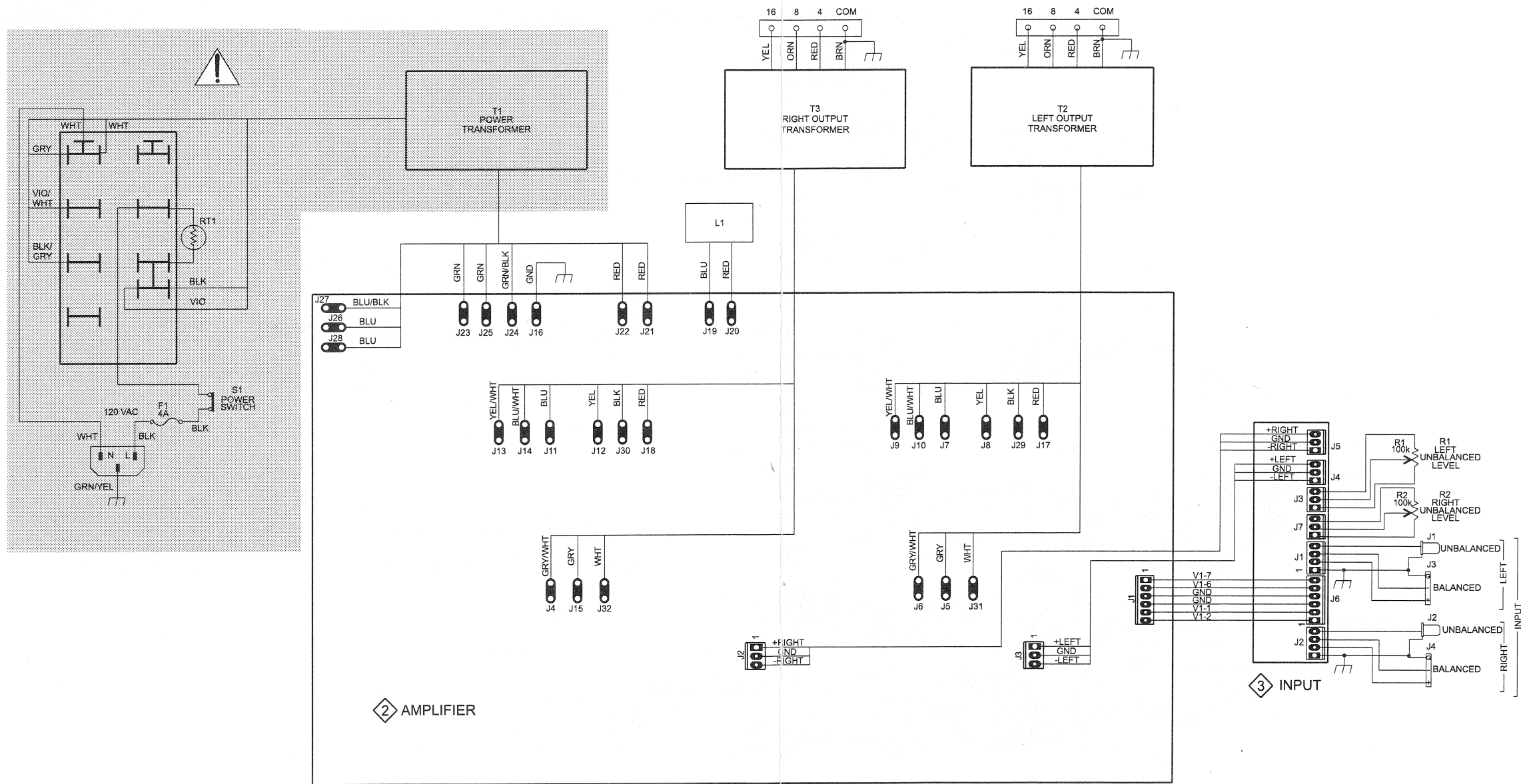
AMPLIFIER SECTION



POWER SUPPLY SECTION

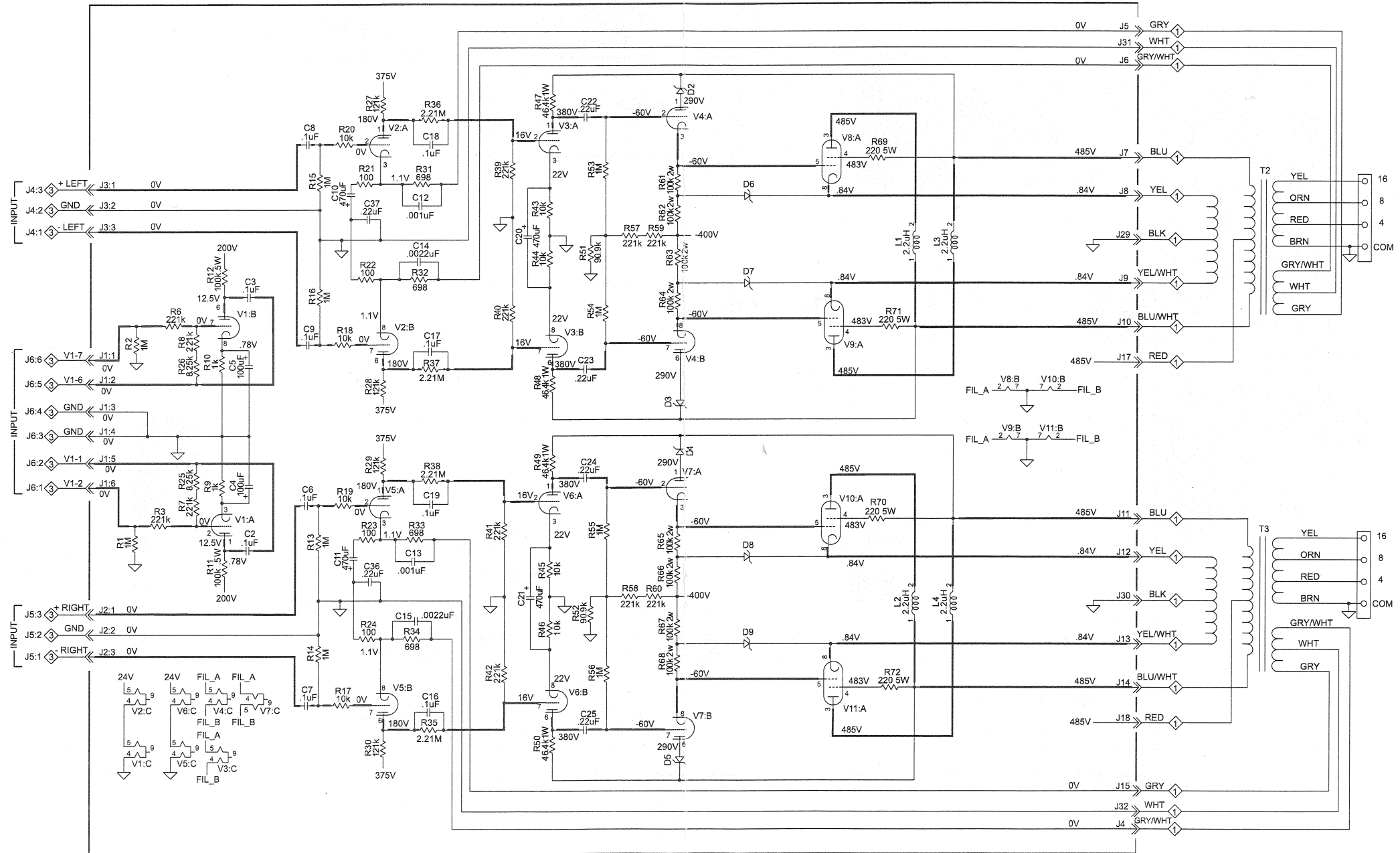
# 1 INTERCONNECT

**!** WARNING Parts located in the shaded area have critical characteristics. Use only replacement parts recommended by the manufacturer.





# AMPLIFIER 050081



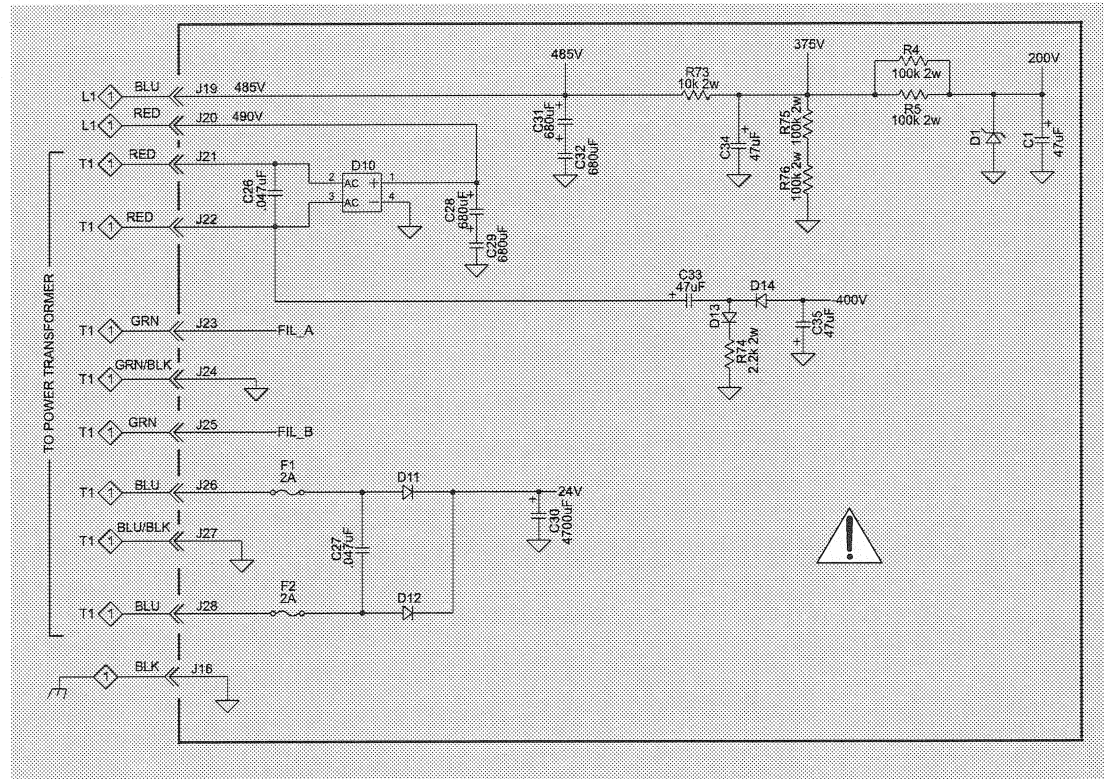
2B

# AMPLIFIER 050081

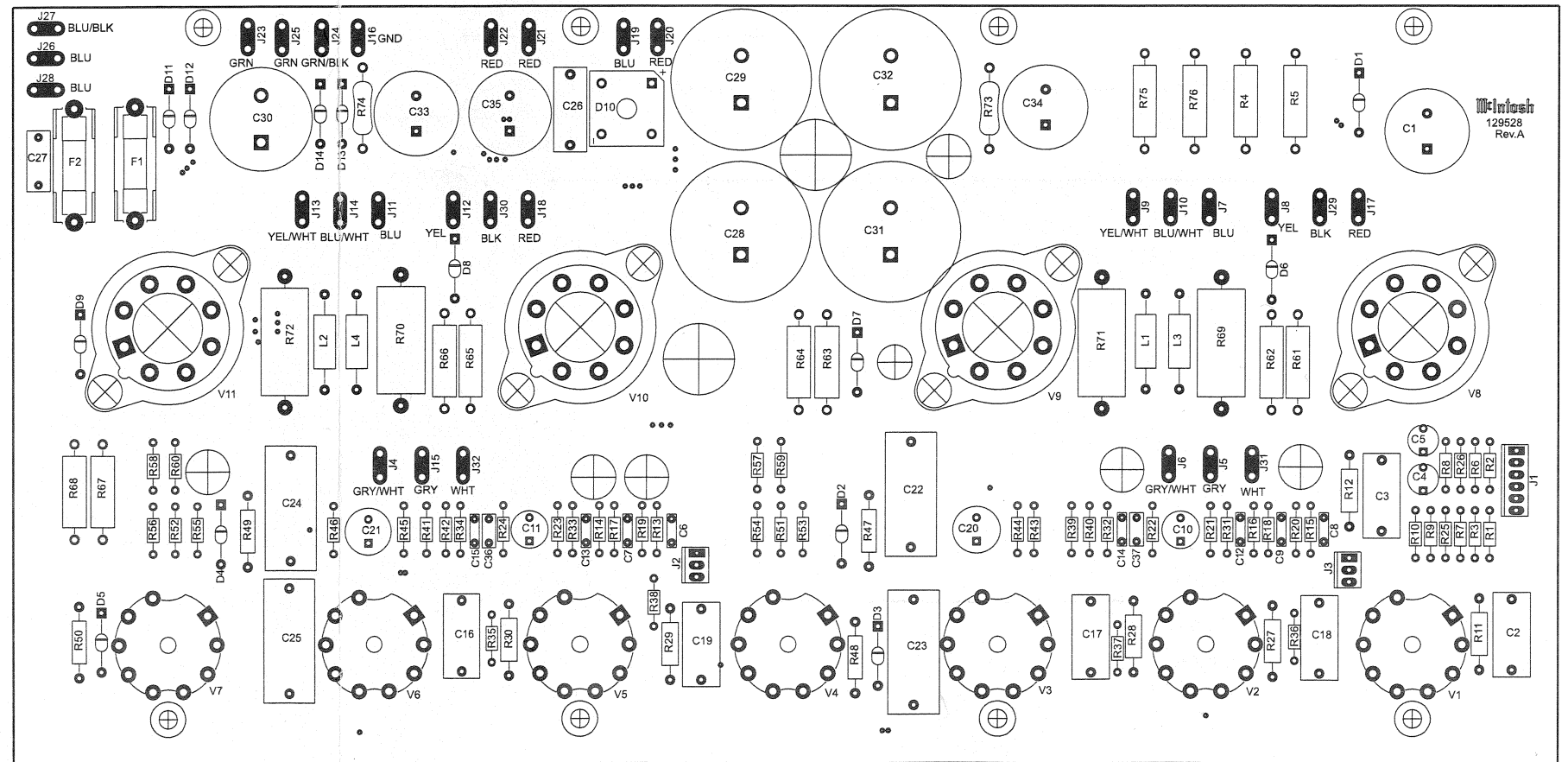
MC275

2

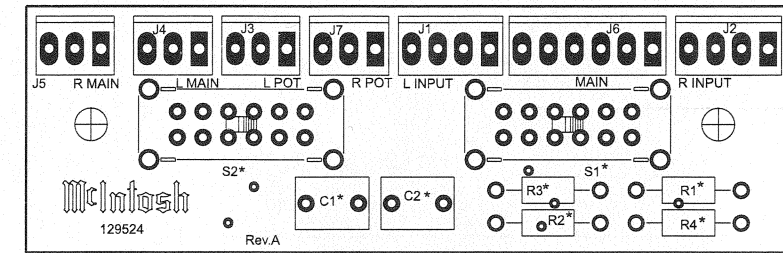
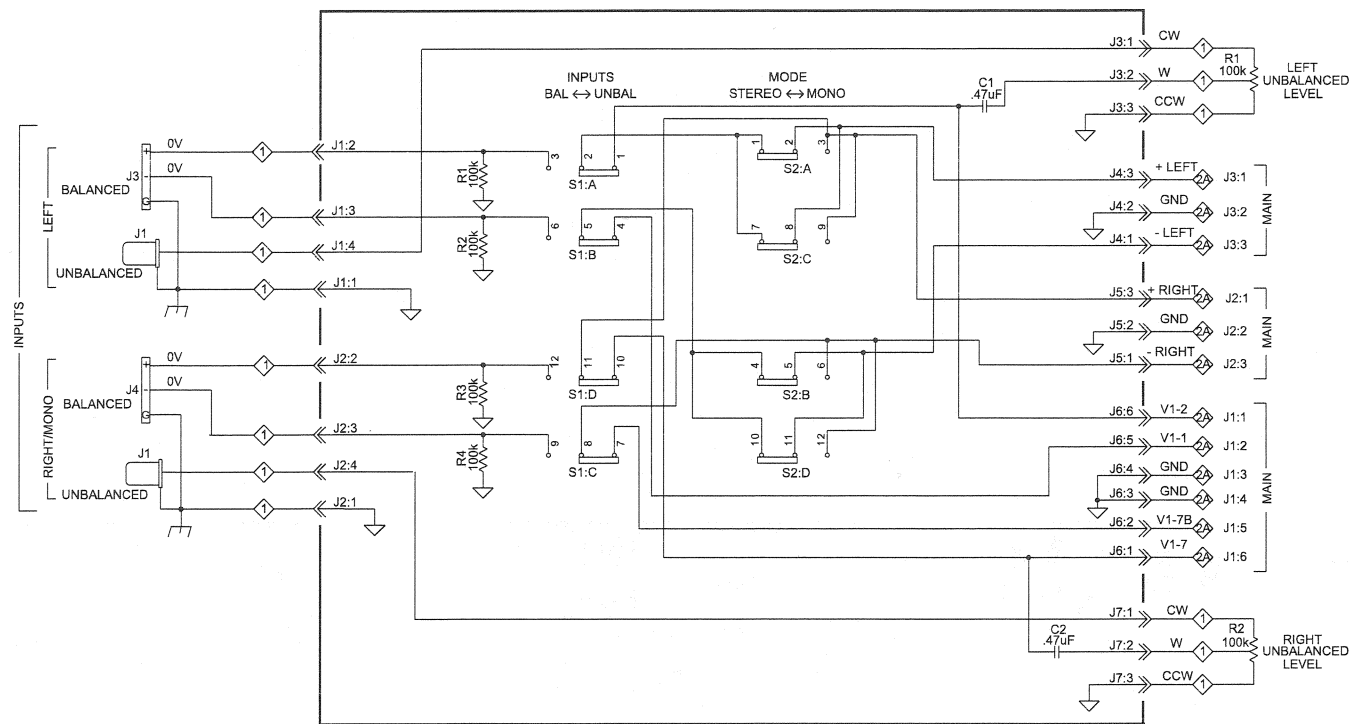
# AMPLIFIER 050081



**WARNING** Parts located in the shaded area have critical characteristics. Use only replacement parts recommended by the manufacturer.



**3** INPUT 050082





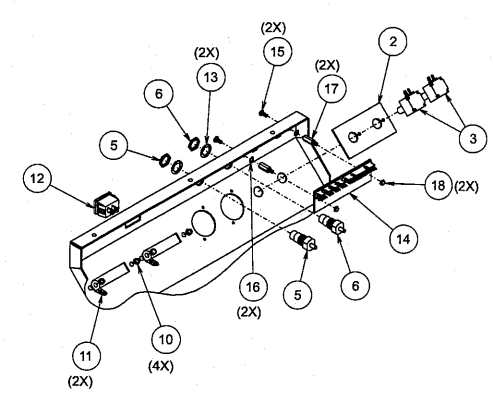
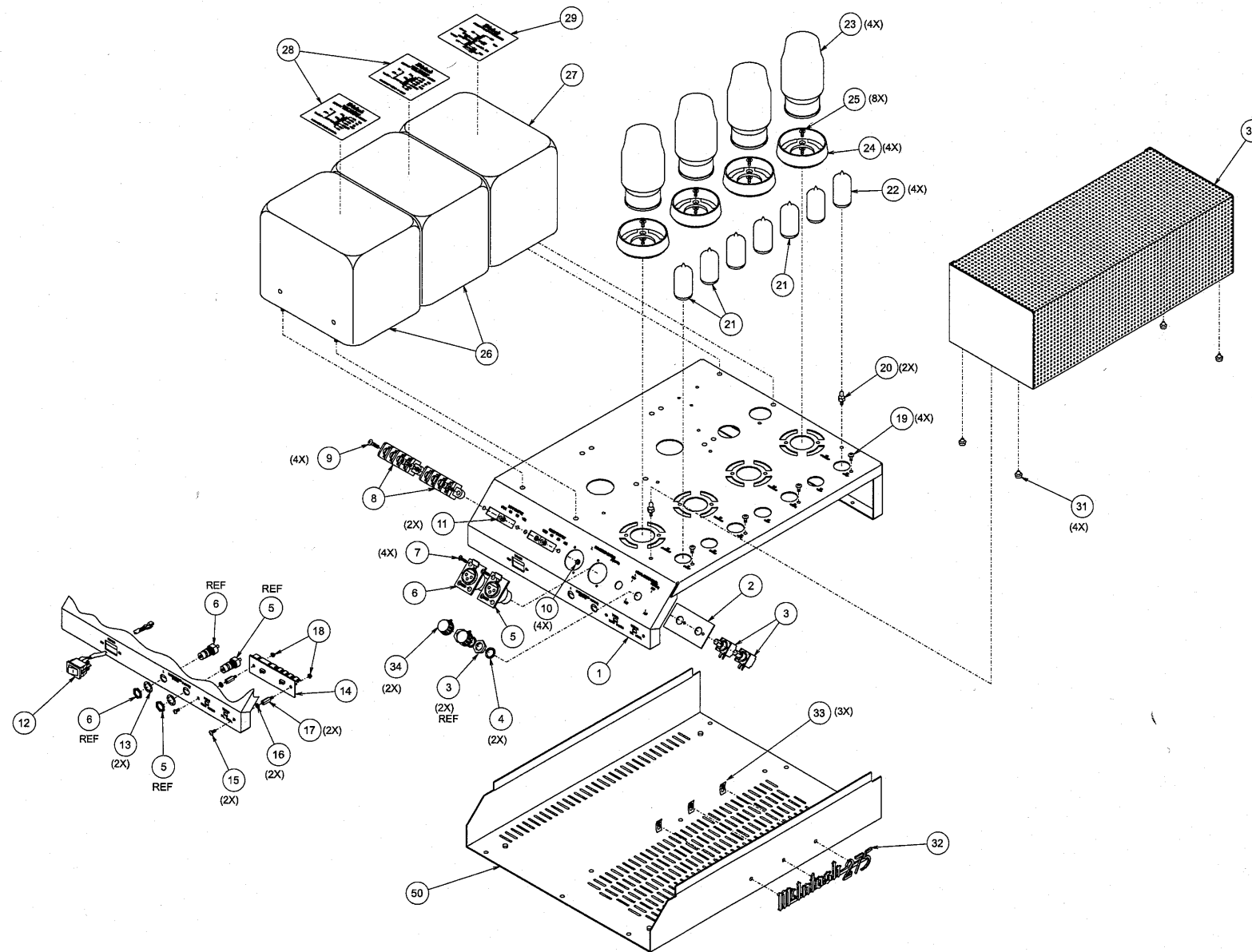
## PARTS LIST

| Ref. No. | Description                    | Part No. |     |                               |        |
|----------|--------------------------------|----------|-----|-------------------------------|--------|
| <b>1</b> | <b>INTERCONNECT</b>            |          |     |                               |        |
| F1       | FUSE 4A 250V SLO-BLO 5X20 IEC  | 089099   | D10 | DIODE BRID RECT 1000V 6A      | 070165 |
| L1       | CHOKE FILTER 0.5H 800MA SLOTS  | 122379   | D11 | DIODE SIL 400 PIV @ 1.5A      | 070031 |
| R1       | POT LINEAR GAIN 100K 10% 1/2W  | 134503   | D12 | DIODE SIL 400 PIV @ 1.5A      | 070031 |
| R2       | POT LINEAR GAIN 100K 10% 1/2W  | 134503   | D13 | DIODE RECTIFIER 1N4007        | 070169 |
| RT1      | ASSEMBLY THERMISTOR CL-40 5R   | 052008   | D14 | DIODE RECTIFIER 1N4007        | 070169 |
| S1       | CABLE ASSY PWR SWCH/FSEHLDRJ42 | 171026   | F1  | FUSE 2A 250V SLO-BLO 5X20 IEC | 089088 |
| T1       | POTTED TRANSFORMER POWER       | 050086   | F2  | FUSE 2A 250V SLO-BLO 5X20 IEC | 089088 |
| T2       | POTTED TRANSFORMER OUTPUT      | 050085   | J1  | CONN MALE 6 POS FRICTION LOCK | 117218 |
| T3       | POTTED TRANSFORMER OUTPUT      | 050085   | J2  | CONN 3 POS MALE MTS100 NORMAL | 117214 |
|          |                                |          | J3  | CONN 3 POS MALE MTS100 NORMAL | 117214 |
|          |                                |          | J4  | BLADE FASTON W/FEET           | 117708 |
|          |                                |          | J5  | BLADE FASTON W/FEET           | 117708 |
|          |                                |          | J6  | BLADE FASTON W/FEET           | 117708 |
|          |                                |          | J7  | BLADE FASTON W/FEET           | 117708 |
|          |                                |          | J8  | BLADE FASTON W/FEET           | 117708 |
|          |                                |          | J9  | BLADE FASTON W/FEET           | 117708 |
|          |                                |          | J10 | BLADE FASTON W/FEET           | 117708 |
|          |                                |          | J11 | BLADE FASTON W/FEET           | 117708 |
|          |                                |          | J12 | BLADE FASTON W/FEET           | 117708 |
|          |                                |          | J13 | BLADE FASTON W/FEET           | 117708 |
|          |                                |          | J14 | BLADE FASTON W/FEET           | 117708 |
|          |                                |          | J15 | BLADE FASTON W/FEET           | 117708 |
|          |                                |          | J16 | BLADE FASTON W/FEET           | 117708 |
|          |                                |          | J17 | BLADE FASTON W/FEET           | 117708 |
|          |                                |          | J18 | BLADE FASTON W/FEET           | 117708 |
|          |                                |          | J19 | BLADE FASTON .187             | 117726 |
|          |                                |          | J20 | BLADE FASTON .187             | 117726 |
|          |                                |          | J21 | BLADE FASTON W/FEET           | 117708 |
|          |                                |          | J22 | BLADE FASTON W/FEET           | 117708 |
|          |                                |          | J23 | BLADE FASTON W/FEET           | 117708 |
|          |                                |          | J24 | BLADE FASTON W/FEET           | 117708 |
|          |                                |          | J25 | BLADE FASTON W/FEET           | 117708 |
|          |                                |          | J26 | BLADE FASTON W/FEET           | 117708 |
|          |                                |          | J27 | BLADE FASTON W/FEET           | 117708 |
|          |                                |          | J28 | BLADE FASTON W/FEET           | 117708 |
|          |                                |          | J29 | BLADE FASTON W/FEET           | 117708 |
|          |                                |          | J30 | BLADE FASTON W/FEET           | 117708 |
|          |                                |          | J31 | BLADE FASTON W/FEET           | 117708 |
|          |                                |          | J32 | BLADE FASTON W/FEET           | 117708 |
|          |                                |          | L1  | CHOKE 2.2UH                   | 122001 |
|          |                                |          | L2  | CHOKE 2.2UH                   | 122001 |
|          |                                |          | L3  | CHOKE 2.2UH                   | 122001 |
|          |                                |          | L4  | CHOKE 2.2UH                   | 122001 |
|          |                                |          | R1  | RES MF 1M 1/4W                | 144269 |
|          |                                |          | R2  | RES MF 1M 1/4W                | 144269 |
|          |                                |          | R3  | RES MF 221K 1% 1/4W           | 144421 |
|          |                                |          | R4  | RES MO 100K 5% 2W             | 144438 |
|          |                                |          | R5  | RES MO 100K 5% 2W             | 144438 |
|          |                                |          | R6  | RES MF 221K 1% 1/4W           | 144421 |
|          |                                |          | R7  | RES MF 221K 1% 1/4W           | 144421 |
|          |                                |          | R8  | RES MF 221K 1% 1/4W           | 144421 |
|          |                                |          | R9  | RES MF 1K 1% 1/4W             | 144090 |
|          |                                |          | R10 | RES MF 1K 1% 1/4W             | 144090 |
|          |                                |          | R11 | RES MF 100k 1% .5W            | 144429 |
|          |                                |          | R12 | RES MF 100k 1% .5W            | 144429 |
|          |                                |          | R13 | RES MF 1M 1/4W                | 144269 |
|          |                                |          | R14 | RES MF 1M 1/4W                | 144269 |
|          |                                |          | R15 | RES MF 1M 1/4W                | 144269 |
|          |                                |          | R16 | RES MF 1M 1/4W                | 144269 |
| <b>2</b> | <b>050081 AMPLIFIER PCB</b>    |          |     |                               |        |
| C1       | CAP ELECT 47UF 450V            | 066497   |     |                               |        |
| C2       | CAP MPF 0.1UF 630VDC           | 064431   |     |                               |        |
| C3       | CAP MPF 0.1UF 630VDC           | 064431   |     |                               |        |
| C4       | CAP ELECT 100UF 16V OR 25V     | 066447   |     |                               |        |
| C5       | CAP ELECT 100UF 16V OR 25V     | 066447   |     |                               |        |
| C6       | CAP MPF 0.1UF 5% 63VDC         | 064325   |     |                               |        |
| C7       | CAP MPF 0.1UF 5% 63VDC         | 064325   |     |                               |        |
| C8       | CAP MPF 0.1UF 5% 63VDC         | 064325   |     |                               |        |
| C9       | CAP MPF 0.1UF 5% 63VDC         | 064325   |     |                               |        |
| C10      | CAP ELECT 470UF 16V            | 066508   |     |                               |        |
| C11      | CAP ELECT 470UF 16V            | 066508   |     |                               |        |
| C12      | CAP MPF 0.001UF 5% 63VDC       | 064300   |     |                               |        |
| C13      | CAP MPF 0.001UF 5% 63VDC       | 064300   |     |                               |        |
| C14      | CAP MPF 0.0022UF 5% 63VDC      | 064304   |     |                               |        |
| C15      | CAP MPF 0.0022UF 5% 63VDC      | 064304   |     |                               |        |
| C16      | CAP MPF 0.1UF 630VDC           | 064431   |     |                               |        |
| C17      | CAP MPF 0.1UF 630VDC           | 064431   |     |                               |        |
| C18      | CAP MPF 0.1UF 630VDC           | 064431   |     |                               |        |
| C19      | CAP MPF 0.1UF 630VDC           | 064431   |     |                               |        |
| C20      | CAP ELECT 470UF 50V            | 066469   |     |                               |        |
| C21      | CAP ELECT 470UF 50V            | 066469   |     |                               |        |
| C22      | CAP POLYPROP 0.22UF 20% 1KVDC  | 064432   |     |                               |        |
| C23      | CAP POLYPROP 0.22UF 20% 1KVDC  | 064432   |     |                               |        |
| C24      | CAP POLYPROP 0.22UF 20% 1KVDC  | 064432   |     |                               |        |
| C25      | CAP POLYPROP 0.22UF 20% 1KVDC  | 064432   |     |                               |        |
| C26      | CAP POLY .047UF 10% 1000VDC    | 064434   |     |                               |        |
| C27      | CAP POLYPROP .047UF 10% 250VDC | 064364   |     |                               |        |
| C28      | CAP ELECT 680UF 315V           | 066549   |     |                               |        |
| C29      | CAP ELECT 680UF 315V           | 066549   |     |                               |        |
| C30      | CAP ELECT 4700UF 35V           | 066541   |     |                               |        |
| C31      | CAP ELECT 680UF 315V           | 066549   |     |                               |        |
| C32      | CAP ELECT 680UF 315V           | 066549   |     |                               |        |
| C33      | CAP ELECT 47UF 450V            | 066497   |     |                               |        |
| C34      | CAP ELECT 47UF 450V            | 066497   |     |                               |        |
| C35      | CAP ELECT 47UF 450V            | 066497   |     |                               |        |
| C36      | CAP MPF 0.22UF 5% 63VDC        | 064329   |     |                               |        |
| C37      | CAP MPF 0.22UF 5% 63VDC        | 064329   |     |                               |        |
| D1       | DIODE ZENER 200V 1.5W          | 070146   |     |                               |        |
| D2       | DIODE ZENER 200V 1.5W          | 070146   |     |                               |        |
| D3       | DIODE ZENER 200V 1.5W          | 070146   |     |                               |        |
| D4       | DIODE ZENER 200V 1.5W          | 070146   |     |                               |        |
| D5       | DIODE ZENER 200V 1.5W          | 070146   |     |                               |        |
| D6       | DIODE ZENER 200V 1.5W          | 070146   |     |                               |        |
| D7       | DIODE ZENER 200V 1.5W          | 070146   |     |                               |        |
| D8       | DIODE ZENER 200V 1.5W          | 070146   |     |                               |        |
| D9       | DIODE ZENER 200V 1.5W          | 070146   |     |                               |        |

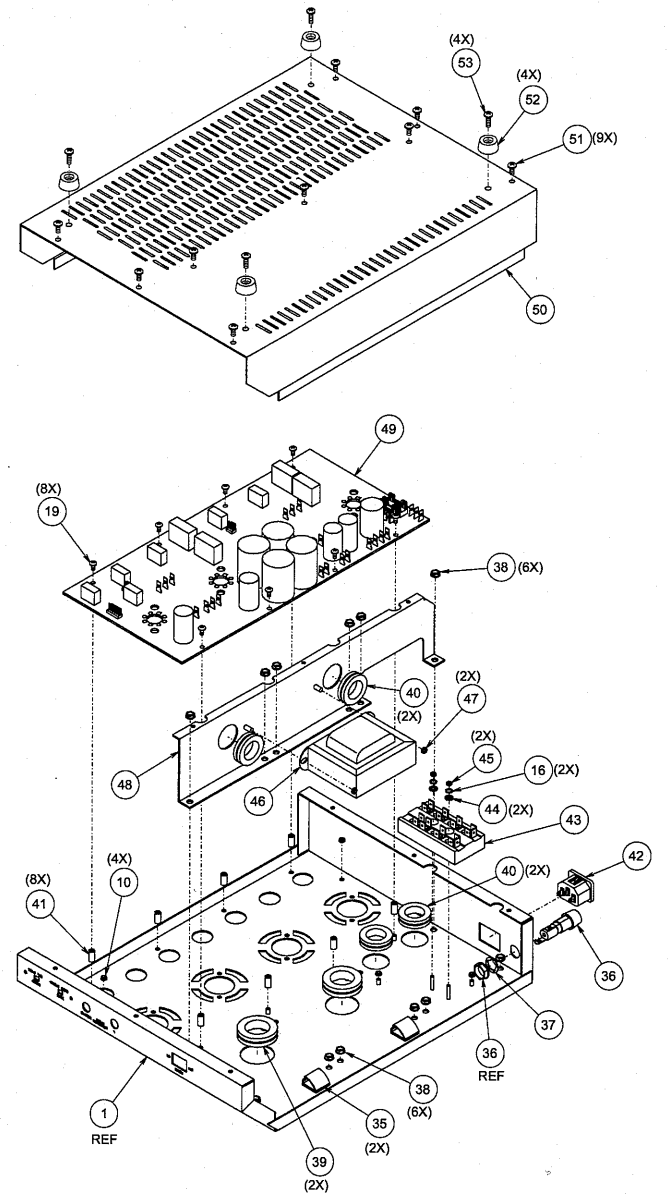
# PARTS LIST con't

|     |                         |        |          |                               |        |
|-----|-------------------------|--------|----------|-------------------------------|--------|
| R17 | RES MF 10K 1% 1/4W      | 144053 | R76      | RES MO 100K 5% 2W             | 144438 |
| R18 | RES MF 10K 1% 1/4W      | 144053 | V1       | TUBE ELEC 12AX7               | 165065 |
| R19 | RES MF 10K 1% 1/4W      | 144053 | V2       | TUBE ELEC 12AX7               | 165065 |
| R20 | RES MF 10K 1% 1/4W      | 144053 | V3       | TUBE 12AT7                    | 165067 |
| R21 | RES MF 100 OHM 1% 1/4W  | 144196 | V4       | TUBE 12AT7                    | 165067 |
| R22 | RES MF 100 OHM 1% 1/4W  | 144196 | V5       | TUBE ELEC 12AX7               | 165065 |
| R23 | RES MF 100 OHM 1% 1/4W  | 144196 | V6       | TUBE 12AT7                    | 165067 |
| R24 | RES MF 100 OHM 1% 1/4W  | 144196 | V7       | TUBE 12AT7                    | 165067 |
| R25 | RES MF 8.25K 1% 1/4W    | 144153 | V8       | TUBE KT88                     | 165069 |
| R26 | RES MF 8.25K 1% 1/4W    | 144153 | V9       | TUBE KT88                     | 165069 |
| R27 | RES MF 121K OHM 1% 1/2W | 144308 | V10      | TUBE KT88                     | 165069 |
| R28 | RES MF 121K OHM 1% 1/2W | 144308 | V11      | TUBE KT88                     | 165069 |
| R29 | RES MF 121K OHM 1% 1/2W | 144308 |          |                               |        |
| R30 | RES MF 121K OHM 1% 1/2W | 144308 |          |                               |        |
| R31 | RES 698 OHM 1% 1/4W     | 144088 | <b>3</b> | <b>050082 INPUT PCB</b>       |        |
| R32 | RES 698 OHM 1% 1/4W     | 144088 | C1       | CAP MPF 0.47UF 5% 50/63VDC    | 064333 |
| R33 | RES 698 OHM 1% 1/4W     | 144088 | C2       | CAP MPF 0.47UF 5% 50/63VDC    | 064333 |
| R34 | RES 698 OHM 1% 1/4W     | 144088 | J1       | CONN 4 PIN                    | 117215 |
| R35 | RES MF 2.21M 1/4W       | 144265 | J2       | CONN 4 PIN                    | 117215 |
| R36 | RES MF 2.21M 1/4W       | 144265 | J3       | CONN 3 POS MALE MTS100 NORMAL | 117214 |
| R37 | RES MF 2.21M 1/4W       | 144265 | J4       | CONN 3 POS MALE MTS100 NORMAL | 117214 |
| R38 | RES MF 2.21M 1/4W       | 144265 | J5       | CONN 3 POS MALE MTS100 NORMAL | 117214 |
| R39 | RES MF 221K 1% 1/4W     | 144421 | J6       | CONN MALE 6 POS FRICTION LOCK | 117218 |
| R40 | RES MF 221K 1% 1/4W     | 144421 | J7       | CONN 3 POS MALE MTS100 NORMAL | 117214 |
| R41 | RES MF 221K 1% 1/4W     | 144421 | R1       | RES MF 100K 1% 1/4W           | 144113 |
| R42 | RES MF 221K 1% 1/4W     | 144421 | R2       | RES MF 100K 1% 1/4W           | 144113 |
| R43 | RES MF 12.1K 1% 1/4W    | 144154 | R3       | RES MF 100K 1% 1/4W           | 144113 |
| R44 | RES MF 12.1K 1% 1/4W    | 144154 | R4       | RES MF 100K 1% 1/4W           | 144113 |
| R45 | RES MF 12.1K 1% 1/4W    | 144154 | S1       | SWITCH SLD 4PDT               | 148064 |
| R46 | RES MF 12.1K 1% 1/4W    | 144154 | S2       | SWITCH SLD 4PDT               | 148064 |
| R47 | RES MO 46.4k 1% 1W      | 144436 |          |                               |        |
| R48 | RES MO 46.4k 1% 1W      | 144436 |          |                               |        |
| R49 | RES MO 46.4k 1% 1W      | 144436 |          |                               |        |
| R50 | RES MO 46.4k 1% 1W      | 144436 |          |                               |        |
| R51 | RES MF 90.9K 1% 1/4W    | 144170 |          |                               |        |
| R52 | RES MF 90.9K 1% 1/4W    | 144170 |          |                               |        |
| R53 | RES MF 1M 1/4W          | 144269 |          |                               |        |
| R54 | RES MF 1M 1/4W          | 144269 |          |                               |        |
| R55 | RES MF 1M 1/4W          | 144269 |          |                               |        |
| R56 | RES MF 1M 1/4W          | 144269 |          |                               |        |
| R57 | RES MF 221K 1% 1/4W     | 144421 |          |                               |        |
| R58 | RES MF 221K 1% 1/4W     | 144421 |          |                               |        |
| R59 | RES MF 221K 1% 1/4W     | 144421 |          |                               |        |
| R60 | RES MF 221K 1% 1/4W     | 144421 |          |                               |        |
| R61 | RES MO 100K 5% 2W       | 144438 |          |                               |        |
| R62 | RES MO 100K 5% 2W       | 144438 |          |                               |        |
| R63 | RES MO 100K 5% 2W       | 144438 |          |                               |        |
| R64 | RES MO 100K 5% 2W       | 144438 |          |                               |        |
| R65 | RES MO 100K 5% 2W       | 144438 |          |                               |        |
| R66 | RES MO 100K 5% 2W       | 144438 |          |                               |        |
| R67 | RES MO 100K 5% 2W       | 144438 |          |                               |        |
| R68 | RES MO 100K 5% 2W       | 144438 |          |                               |        |
| R69 | RES WW 220 OHM 10% 5W   | 139009 |          |                               |        |
| R70 | RES WW 220 OHM 10% 5W   | 139009 |          |                               |        |
| R71 | RES WW 220 OHM 10% 5W   | 139009 |          |                               |        |
| R72 | RES WW 220 OHM 10% 5W   | 139009 |          |                               |        |
| R73 | RES MO 10K 5% 2W        | 144437 |          |                               |        |
| R74 | RES MO 2.2K 5% 2W       | 144494 |          |                               |        |
| R75 | RES MO 100K 5% 2W       | 144438 |          |                               |        |

# EXPLODED VIEW and PARTS LIST



THIS VIEW FOR REFERENCE ONLY



| Ref.No. | Part No. | Description                       |
|---------|----------|-----------------------------------|
| 1       | 005421   | CHASSIS                           |
| 2       | 005431   | POT LOCATOR                       |
| 3       | 134503   | POT LINEAR GAIN 100K 10% 1/2W     |
| 4       | 104014   | WASHER INT STAR 3/8 X .507 X .002 |
| 5       | 052104   | ASSY CABLE RIGHT INPUT            |
| 6       | 052105   | ASSY CABLE LEFT INPUT             |
| 7       | 100195   | SCREW MACH 4-40 X 3/8 PH OVL GLD  |
| 8       | 074107   | TERMINAL BLOCK 4 POS GOLD         |
| 9       | 100117   | SCREW MACH 6-32 X 1/2 PH PN       |
| 10      | 102003   | NUT MACH 6-32 W/LOCK              |
| 11      | 075021   | LUG SOLDER #6 HOLE                |
| 12      | 171578   | CABLE ASSY POWER SWITCH           |
| 13      | 104165   | WASHER 3/8 INT TOOTH GOLD         |
| 14      | 050082   | ASSY INPUT PCB                    |
| 15      | 100121   | SCREW MACH 4-40 X 1/4 PH PN BLK   |
| 16      | 104004   | WASHER LOCK 5 X .255 INT STAR     |
| 17      | 112084   | STANDOFF 4-40 X 7/16 (M/F)        |
| 18      | 102001   | NUT KEP 4-40 CADMIUM PLATE        |
| 19      | 100157   | SCREW MACH 6-32 X 1/4 PH PN       |
| 20      | 114012   | STUD TINNER P116-473-8            |
| 21      | 165065   | TUBE 12AX7A McINTOSH              |
| 22      | 165067   | TUBE 12AT7                        |
| 23      | 165070   | TUBE KT88 WITH McINTOSH LOGO      |
| 24      | 017761   | AIR PIPE                          |
| 25      | 100292   | SCREW MACH 6-32 X 3/8 PH FH BLK   |
| 26      | 050085   | POTTED TRANSFORMER OUTPUT         |
| 27      | 050086   | POTTED TRANSFORMER POWER          |
| 28      | 166003   | DECAL OUTPUT TRANSFORMER          |
| 29      | 166004   | DECAL POWER TRANSFORMER           |
| 30      | 050088   | ASSY TUBE COVER                   |
| 31      | 017862   | PUSH-ON FOOT                      |
| 32      | 125667   | NAMEPLATE                         |
| 33      | 106012   | SPRING CLIP: PUSH-ON              |
| 34      | 090290   | KNOB PLASTIC 11/16 DIA            |
| 35      | 017452   | KLIP WIRE                         |
| 36      | 178161   | HOLDER FUSE 5 X 20mm IEC          |
| 37      | 104016   | WASHER INT STAR .5 X .630 X .022  |
| 38      | 102006   | NUT MACH 10-32 W/LOCK             |
| 39      | 078024   | GROMMET RUBBER 1" ID              |
| 40      | 078025   | GROMMET RUBBER 3/4" ID            |
| 41      | 017859   | SPACER NYLON 6-32 X 7/16          |
| 42      | 117487   | RECEPTACLE AC LINE                |
| 43      | 074091   | TERMINAL BLOCK AC                 |
| 44      | 104001   | WASHER FLAT STEEL 4 X 9/32 X .025 |
| 45      | 102022   | NUT MACH 4-40 X 3/16 X 1/16       |
| 46      | 122379   | CHOKE FILTER                      |
| 47      | 102005   | NUT MACH 8-32 W/LOCK              |
| 48      | 005425   | SUPPORT BRACKET                   |
| 49      | 050081   | ASSY AMPLIFIER PCB                |
| 50      | 005426   | BOTTOM COVER                      |
| 51      | 101078   | SCREW TAP 8-32 X 5/16 PH PN BLK   |
| 52      | 017542   | PLASTIC FOOT                      |
| 53      | 100153   | SCREW MACH 8-32 X 1/2 PH PN       |

MC275

# REPACKING INSTRUCTIONS

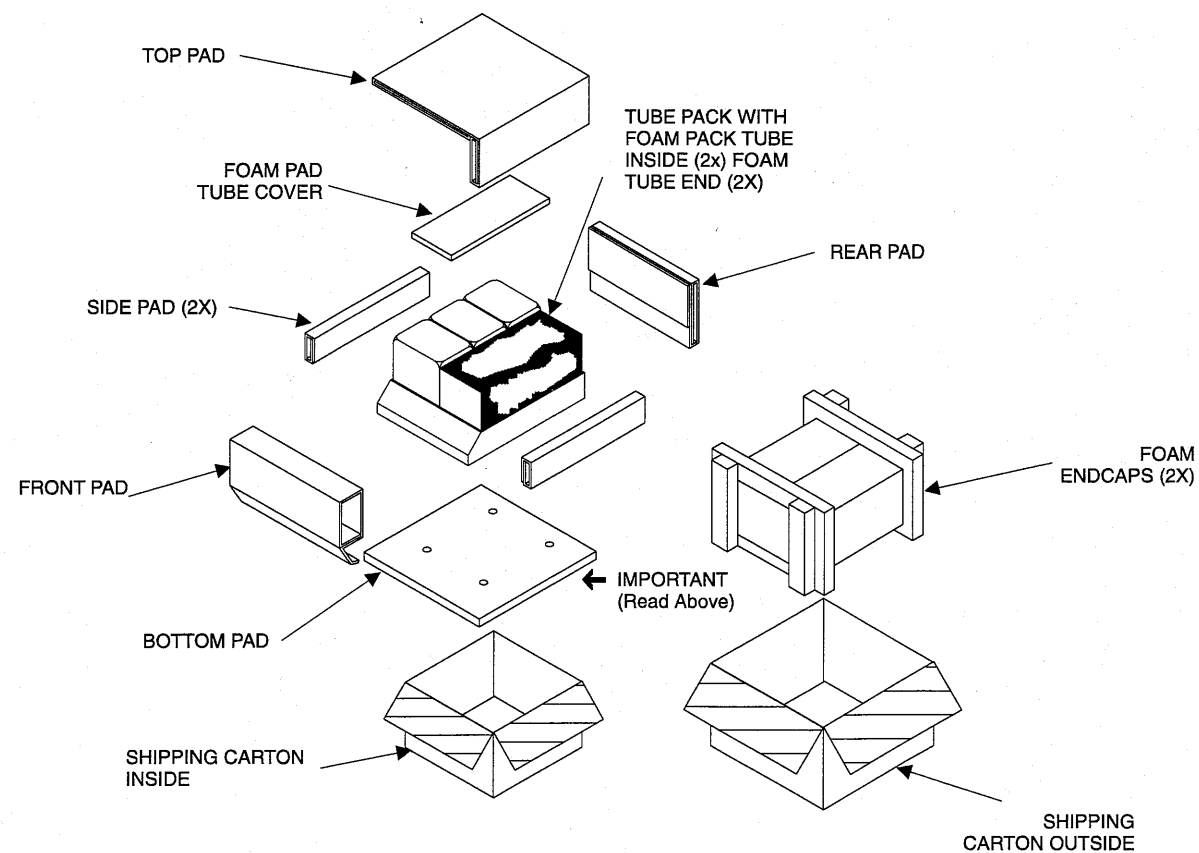
In the event it is necessary to repack the unit for shipment, the unit must be packed exactly as shown below.

**IMPORTANT** - For ease of shipment, attach the four feet to the bottom of the unit. Failure to do this will result in shipping damage.

If a shipping carton or any of the interior parts is needed, please call or write the Customer Service Department of McIntosh Laboratory. Order parts from the accompanying list by part number.

Use the original shipping carton and interior parts only if they are in good serviceable condition.

| Qty. | Part No. | Description               |
|------|----------|---------------------------|
| 1    | 033704   | Bottom pad                |
| 1    | 033705   | Front Pad                 |
| 1    | 033706   | Rear Pad                  |
| 1    | 033707   | Top pad                   |
| 2    | 033711   | Side pad                  |
| 1    | 033712   | Foam pad (tube cover)     |
| 2    | 033718   | Foam endcaps              |
| 1    | 034005   | Shipping carton (outside) |
| 1    | 034006   | Shipping carton (inside)  |
| 2    | 034265   | Tube pack                 |
| 2    | 034266   | Tube pack (end)           |



# MC275

## STEREO POWER AMPLIFIER

STARTING WITH SERIAL NO. VN1001

### SERVICE MANUAL



The continuous improvement of its products is the policy of McIntosh Laboratory Incorporated, who reserve the right to improve design without notice. Because of the constant upgrading of McIntosh products' circuitry and components, the Company cannot insure, and does not warrant, the accuracy of the within schematic material, which is intended for information only.