

# MAINTENANCE MANUAL

# McIntosh

# MC275

## STEREO POWER AMPLIFIER

(Serial No.'s 275-10001 to 275-10147  
and 100E1 & above)

**VOLTAGE AND RESISTANCE CHART**

Tube	Pin No.	DC Volts No. Signal	AC Volts at rated output	Resistance in Ohms Unit Off
12AX7 (V1)	1	100	2.1	160K*
	2	0	.47	1M
	3	.95	.44	3.3K
	4 & 5	0	0	0
	6	100	2.1	160K*
	7	0	.47	1M
	8	.95	.44	3.3K
	9	0	6.3	
	12AU7 (V2 or V5)	1	240	12
2		100	2.1	160K*
3		106	.96	18K
4 & 5		0	0	0
6		240	12	40K*
7		84	0	2.4M"
8		106	.96	18K
9		0	6.3	0
12BH7 (V3 or V6)		1	365	152
	2	22	12	210K
	3	40	.7	2.7K
	4 & 5	0	0	0
	6	365	152	12K
	7	22	12	210K
	8	40	.7	2.7K
	9	0	6.3	0
	12AZ7 (V4 or V7)	1	205	112
2		-57	152	1M
3		-57	149	170K
4 & 5		0	0	0
6		205	112	38**
7		-57	152	1M
8		-57	149	170K
9		0	6.3	0
KT88/6550 (V8, V9, V10, V11)		1		
	2	0	0 or 6.3	0
	3	450	116	38
	4	450	112	260
	5	-57	149	170K
	6			
	7	0	6.3 or 0	6
	8	.6	116	15

\*This resistance measured with condenser C25A shorted to ground.

\*\*This resistance measured with condenser C24B shorted to ground.

High impedance VTVM is used to measure the operating voltages.

**600A/70.7 OUTPUT RECEPTICAL CONNECTIONS**

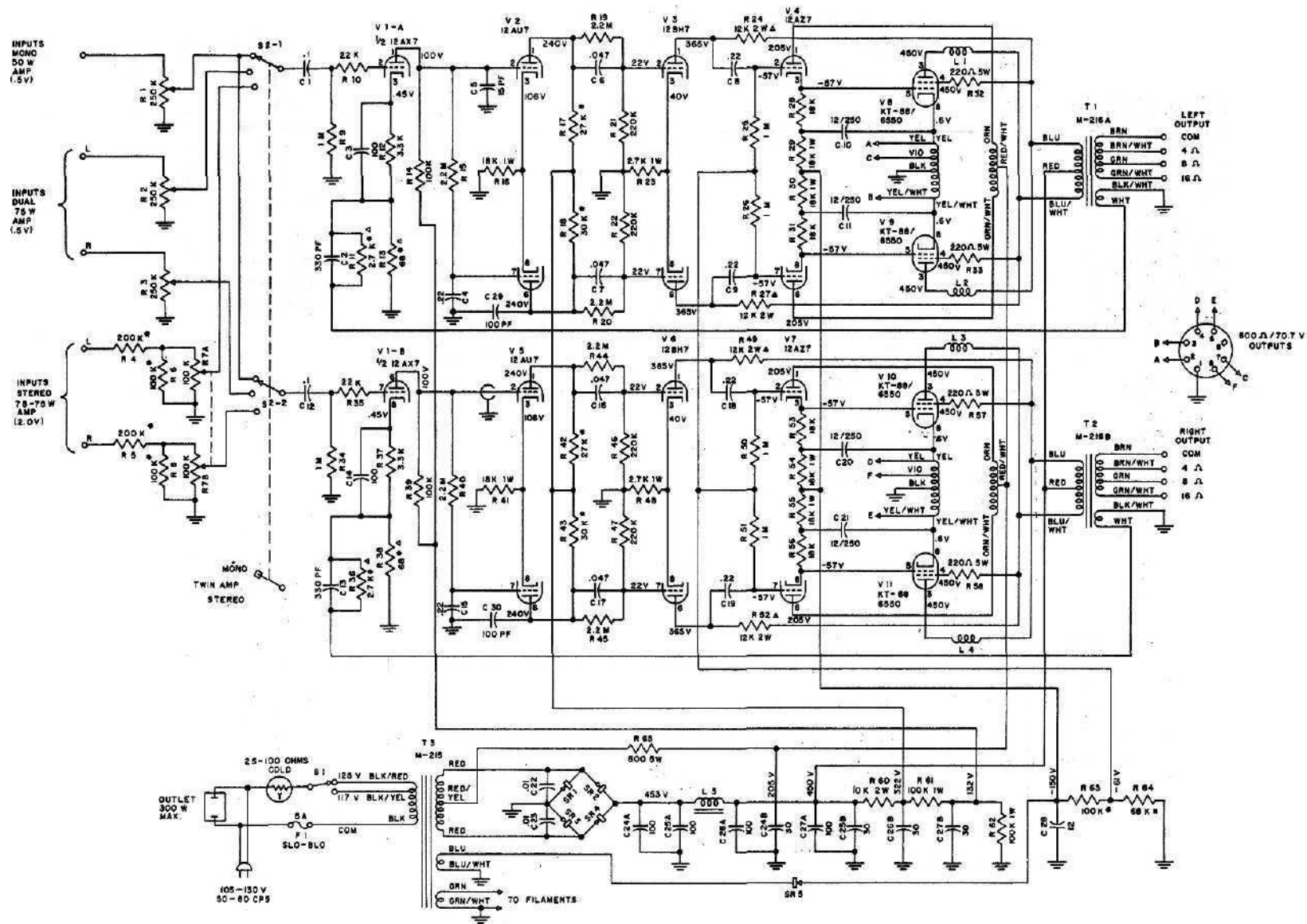
**PIN 1-GROUND, 70.7 V RETURN, AND 600 A C.T.  
PINS 1 AND 7- LEFT 70.7 V OUTPUT  
PINS 2 AND 3 - LEFT 600 A OUTPUT  
PINS 1 AND 8 - RIGHT 70.7 V OUTPUT  
PINS 4 AND 5- RIGHT 600 A OUTPUT**

**SINGLE CHANNEL (MONO) OUTPUT NOTE**

**FOR SINGLE CHANNEL OUTPUT  
PARALLEL OR SERIES CONNECT  
THE L AND R OUTPUTS TO OBTAIN  
DESIRED OUTPUT IMPEDANCE.**

**\* 5% TOLERANCE RESISTORS**

**A FOLLOWING COMPONENTS ARE  
MATCHED TO 1%:  
R11 AND R36  
R13 AND R38  
R24 AND R27  
R49 AND R52**



SC 125-109 C

Special components used in the MC275 are listed below. These components are designed and built specifically for the MC275. They may be purchased directly from McIntosh Laboratory by ordering from the Service Department. Be sure to mention "Schematic No.," description, and model and serial number for your amplifier when ordering parts.

SCHEMATIC NO.	DESCRIPTION
C24,C25,C26,C27 L1, L2, L3, L4 L5 R1, R2, R3 R7	Filter Capacitor 100/30 mfd 500/450V RF Choke Filter Choke Gain Control, 250K Balance Control
R59	Thermistor
S2	Input Selector Switch
SR1,SR2,SR3,SR4 SR5	Silicon Rectifier, 600 PIV at 500 MA Selenium Rectifier, 400 PIV at 75 MA
T1	Output Transformer, Type M-216A
T2	Output Transformer, Type M-216B
T3	Power Transformer, Type M-215

**McIntosh** LABORATORY, INC.

2 CHAMBERS STREET, BINGHAMTON, N. Y.

Made in U.S.A.

Phone-Area Code 607-723-5491