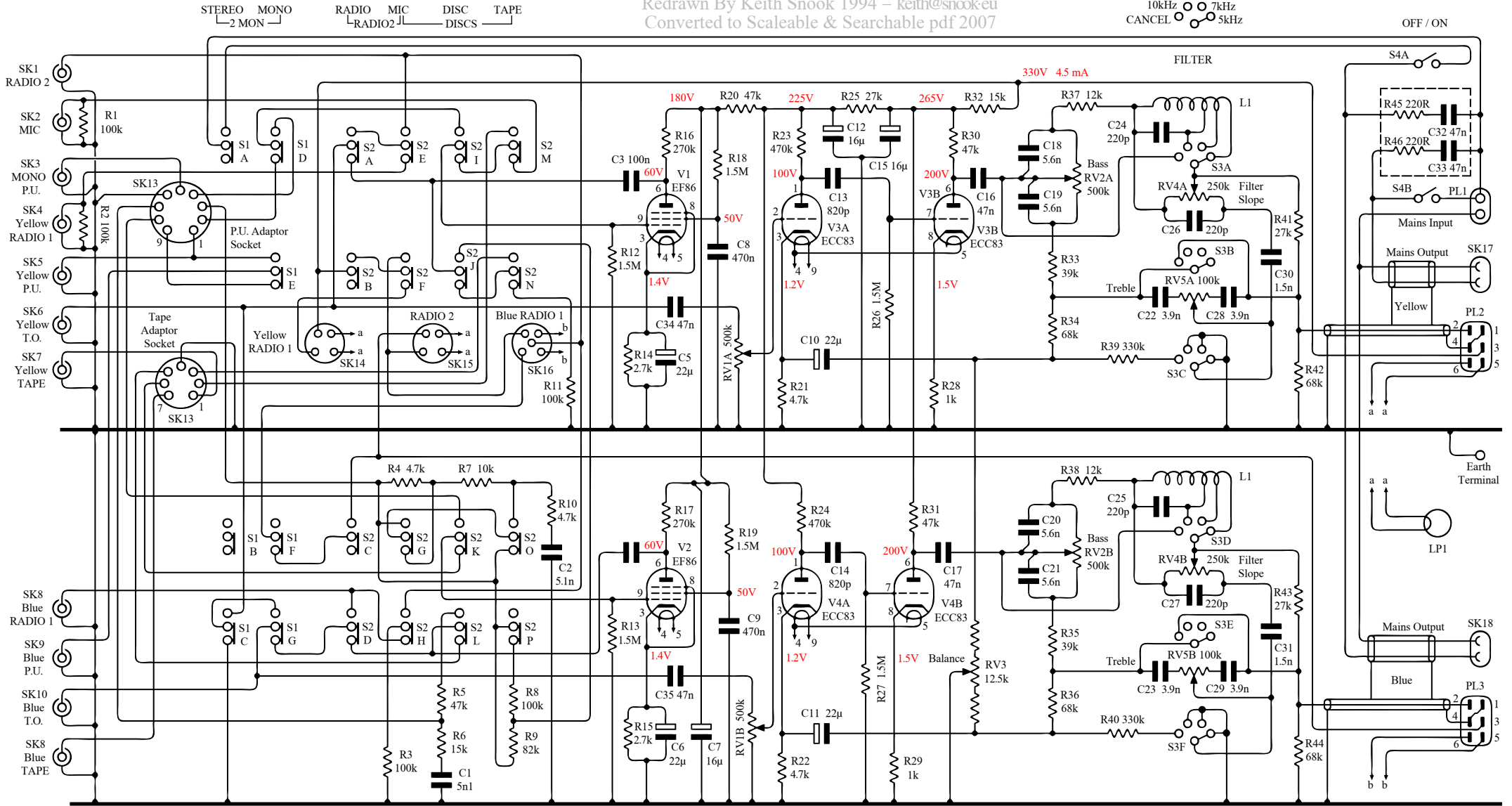


R	1	2	3	4	5	6	7	8	9	10	11	12	13	14	15	16	17	18	19	20	21	22	23	24	25	26	27	28	29	30	31	32	33	34	35	36	37	38	39	40	41	42	43	44	45	46	R			
C			1							2		3	4	5	6	34	35						12	13	14					16	17	18	19	20	21					24	25	26	27	28	29	30	31	32	33	C

Redrawn By Keith Snook 1994 - keith@snookeu
 Converted to Scaleable & Searchable pdf 2007



DRAWING No. B 11402 iss.3

QUAD 22 CONTROL UNIT CIRCUIT DIAGRAM